

**BOSE**<sup>®</sup>

# Acoustimass<sup>®</sup> 16 Series II Acoustimass<sup>®</sup> 15 Series III

HOME ENTERTAINMENT SPEAKER SYSTEM

Owner's Guide

Guía de usuario

Notice d'utilisation



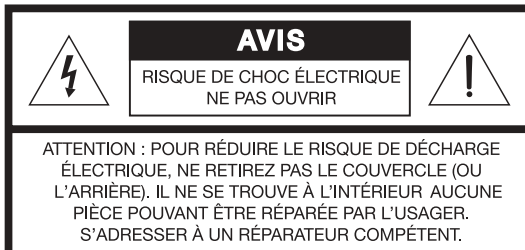
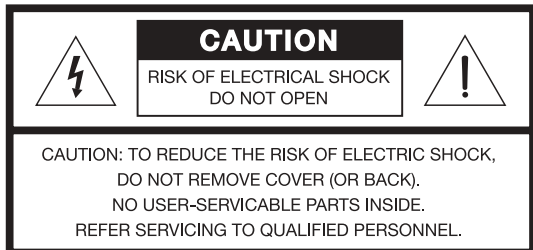
# SAFETY INFORMATION

## Please read this owner's guide

Please take the time to follow this owner's guide carefully. It will help you set up and operate your system properly and enjoy all of its advanced features. Please save your owner's guide for future reference.

### For your safety

- WARNING:** To reduce the risk of fire or electric shock, do not expose the powered Acoustimass® module to rain or moisture.
- WARNING:** No naked flame sources, such as lighted candles, should be placed on the apparatus.



These CAUTION marks are located on the rear of the Acoustimass module:



The lightning flash with arrowhead symbol within an equilateral triangle is intended to alert the user to the presence of uninsulated, dangerous voltage within the system enclosure that may be of sufficient magnitude to constitute a risk of electric shock.



The exclamation point within an equilateral triangle, as marked on the system, is intended to alert the user to the presence of important operating and maintenance instructions in this owner's guide.

- CAUTION:** To prevent electric shock, match the wide blade of the line cord plug to the wide slot of the AC (mains) receptacle. Insert fully.

### Additional safety information

See the additional safety information on the Important Safety Instructions page enclosed with your speaker system.

#### For your records

The system serial number is located on the rear of the Acoustimass module.

Serial number: \_\_\_\_\_

Dealer name: \_\_\_\_\_

Dealer phone: \_\_\_\_\_ Purchase date: \_\_\_\_\_

Please keep your sales receipt and warranty card together with this owner's guide.

©2006 Bose Corporation. No part of this work may be reproduced, modified, distributed or otherwise used without prior written permission. Manufactured under license from Dolby Laboratories. "Dolby" and the double-D symbol are trademarks of Dolby Laboratories. Confidential Unpublished Works. ©1992-1997 Dolby Laboratories. All rights reserved.

|  |           |
|--|-----------|
| <b>SETTING UP</b>  | <b>4</b>  |
| Unpacking the carton . . . . .                               | 4         |
| Choosing locations for your speakers . . . . .               | 5         |
| Placing the center front speaker . . . . .                   | 6         |
| Placing your left and right front speakers . . . . .         | 6         |
| Placing your rear speakers . . . . .                         | 6         |
| Placing your Acoustimass® module . . . . .                   | 7         |
| Making the connections . . . . .                             | 7         |
| Connecting speakers to the Acoustimass module . . . . .      | 7         |
| Connecting the Acoustimass® module to the receiver . . . . . | 9         |
| Checking and finalizing connections . . . . .                | 10        |
| Optional upgrade for your Acoustimass 15 system . . . . .    | 10        |
| <b>USING YOUR SYSTEM</b>                                     | <b>11</b> |
| Getting the most from your home theater speakers . . . . .   | 11        |
| Adjusting the bass/room compensation . . . . .               | 11        |
| Adjusting the LFE level . . . . .                            | 11        |
| Setting your digital surround sound receiver . . . . .       | 12        |
| Receiving a digital audio signal . . . . .                   | 12        |
| Setting your analog surround sound receiver . . . . .        | 12        |
| <b>REFERENCE</b>   | <b>13</b> |
| Troubleshooting . . . . .                                    | 13        |
| Customer service . . . . .                                   | 13        |
| Cleaning the speakers . . . . .                              | 13        |
| Limited warranty . . . . .                                   | 14        |
| Accessories . . . . .  | 14        |
| Technical information . . . . .                              | 14        |

# SETTING UP

## Before you begin

We appreciate your choice of the Bose® Acoustimass® 16 Series II or 15 Series III home entertainment speaker system. Each system features a combination of cube speaker arrays, center front speaker, and a powered Acoustimass module. Together, they reproduce the full-spectrum sound of multi-channel digital programming for a powerful and realistic home theater experience.

## Unpacking the carton

Carefully unpack the carton contents as follows:

1. Remove the brown inner carton containing the cube speaker arrays and center front speaker.
2. Gently roll the large carton onto its side and pull out the Acoustimass module.

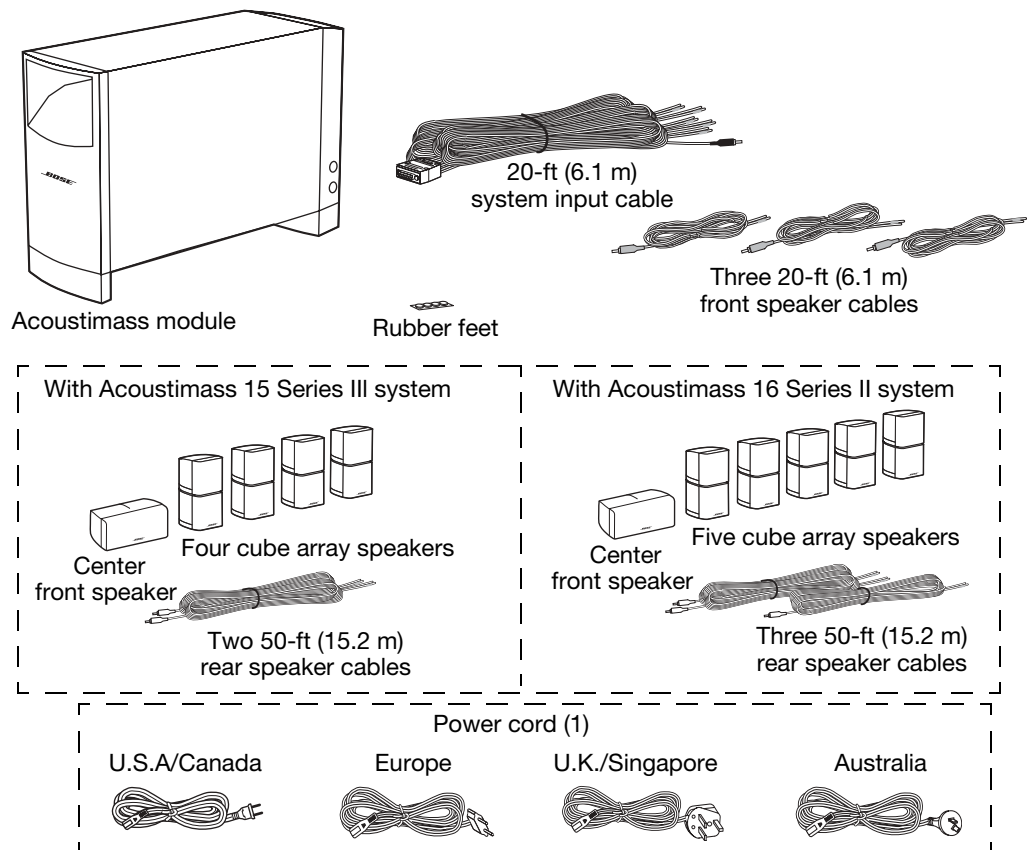
**WARNING:** To avoid injury, use care in lifting the module, which weighs 33 pounds (15 kg).

Save all packing materials, which provide the best means to transport the system, for possible future use.

If any parts appear damaged, do not use them. Instead, repack the system in the original carton and contact your authorized Bose dealer. Or, to contact Bose directly, refer to the address list included in the carton.

**Figure 1**

Carton contents



Now is a good time to record the serial number for this system on page 2 of this guide and on your warranty card.

**WARNING:** To avoid danger of suffocation, keep the plastic bags that wrap these speakers out of the reach of children.

## Choosing locations for your speakers

Keep these guidelines in mind when choosing a location for each speaker:

- Select a stable and level surface for each of the small speakers. Vibration can cause them to move, particularly on smooth surfaces like marble, glass, or highly polished wood. To prevent this problem, rubber feet are provided for attachment to the bottom of the center front speaker.

🎵 **Note:** You may order additional rubber feet, free of charge, by contacting Bose. Refer to the address list included in the carton.

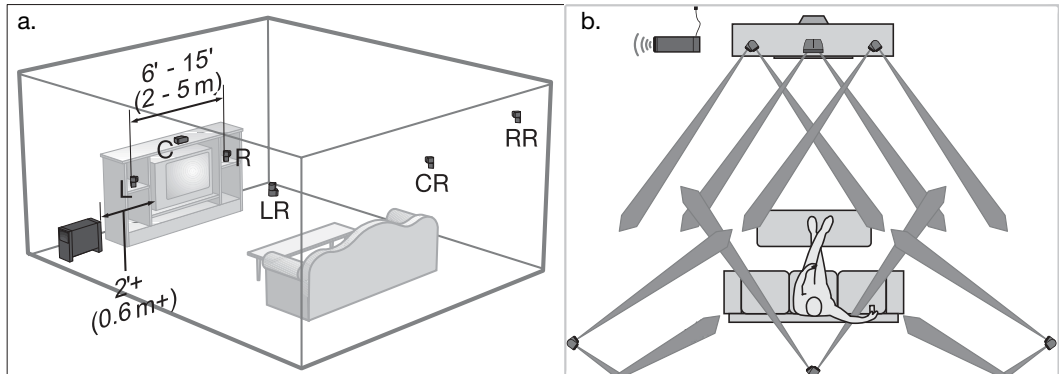
- The center front speaker is for use at the front of the room and near the center of your TV.
- The cube speaker arrays in your system are identical and can be used interchangeably.
- The top and bottom cubes of each speaker array can be rotated to create room-filling sound patterns (b and d).
- All of the small speakers are magnetically shielded to prevent interference with a TV picture.
- The Acoustimass® module should be at least 2 feet (.6 m) from your TV set to prevent interference.

The shape and size of your room and location of the furniture in it will affect your choice of speaker locations. Use the examples below as the basis, but not the rule, for your home theater setup.

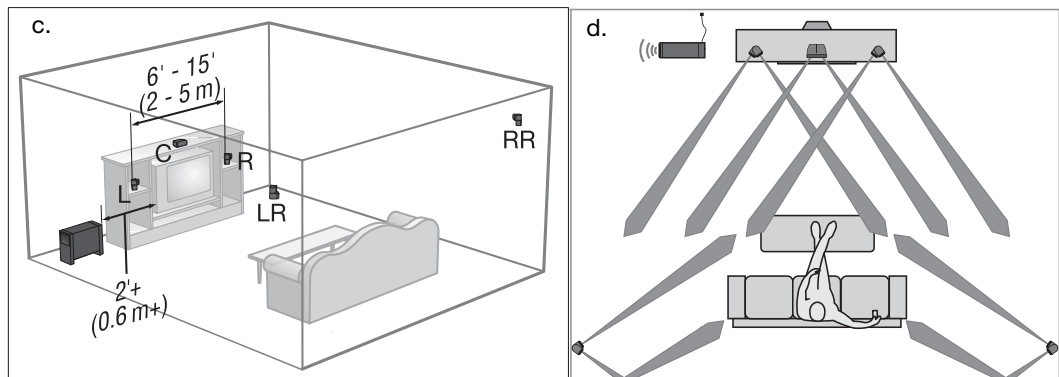
**Figure 2**

Sample speaker placement (a and c) and performance results (b and d)

Acoustimass 16 system



Acoustimass 15 system



Bose® wall brackets and floor or table stands expand the options for placement of your speakers. For further information, see “Accessories” on page 14.

**Note:** *The Acoustimass® 15 Series III system is designed for use with an optional center rear cube speaker array. For further details, see “Optional upgrade for your Acoustimass 15 system” on page 10.*

### **Placing the center front speaker**

Sound from the center front speaker should seem to come from within the picture to give the most realistic performance of on-screen action and dialogue.

- Place the center front speaker above, on top of, or below your television. Do NOT rest the weight of the television on the speaker.
- Keep it in line with the vertical center of the screen, if possible, for the most accurate reproduction of dialogue (as shown in Figure 2 on page 5).

**CAUTION:** *Before placing the center front speaker on top of a television, attach the four supplied rubber feet to the bottom of the speaker. Position two of the feet near the front edge and close together on the bottom surface. Place the other two feet in the rear corners on the bottom.*

### **Placing your left and right front speakers**

The goal for these speakers is to create a sound image that is wider than the screen and seems natural to viewers sitting anywhere in the room.

- Place the front cube speaker arrays on either side of your TV.
- Keep them from 6 feet (2 m) to 15 feet (5 m) apart (as shown in Figure 2 on page 5).

### **Placing your rear speakers**

While the rear (surround) speakers may deliver some dialogue, they serve primarily to deliver discrete sounds and special effects that expand the visual image. They help bring the viewer into the center of the action.

Choose locations that are practical and convenient, while considering these recommended guidelines:

- Position the left and right rear cube speaker arrays so they can deliver sound on both sides of the viewer, rather than from directly behind (as shown in Figure 2 on page 5).
- Place these speakers at the same height as the ears of a seated viewer or higher.
- Rotate the top and bottom cubes of each speaker to direct the sound to both the front and the back of listeners.
- *If your system has a center rear speaker, position it halfway between the rear left and right speakers (as shown in Figure 2 on page 5).*

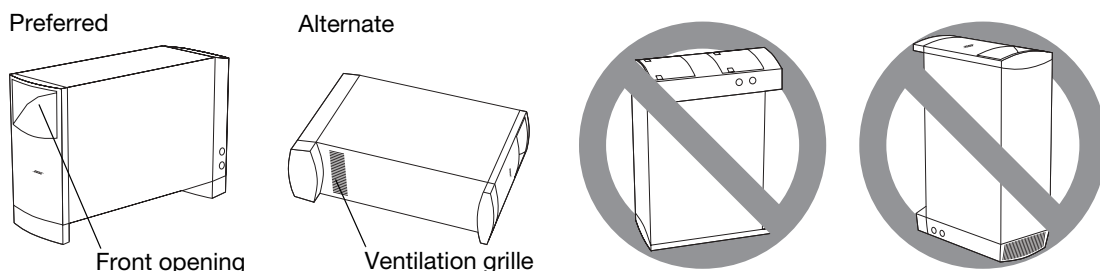
### Placing your Acoustimass® module

Bose® Acoustimass® speaker technology makes it difficult to locate the source of low-frequency sound from this module. So feel free to hide it from view, and:

- Locate the module at the same end of the room as the television screen.
- Keep the module at least 2 feet (.6 m) from your TV set to prevent interference.
- To increase bass effects, turn the front opening toward a wall; turn it away from the wall to decrease bass effects.
- Keep both the front opening and the ventilation grille on the bottom of the module at least 2 inches (5 cm) from any other surface.
- Do not block the ventilation grille located on the bottom of the module. Impeding ventilation can cause a reduction in the bass-frequency output from the module.

**Figure 3**

Position options for your Acoustimass module



### Making the connections

Only the Acoustimass module connects to your receiver. The small center front speaker and cube speaker arrays connect directly to the Acoustimass module.

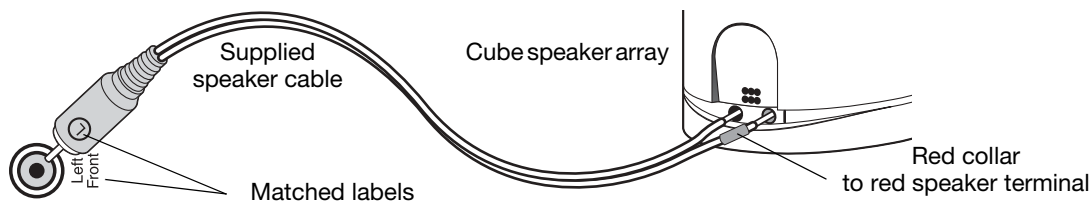
**WARNING:** Connecting the small speakers to a receiver can result in damage to your system and possible electric shock.

#### Connecting speakers to the Acoustimass module

Insert the connector on each speaker cable into the jack on the module. Refer to the label on each connector to match it to the proper jack.

**Figure 4**

Speaker cable connection to an output jack on the module and to the speaker



1. Use the supplied 20-foot (6.1 m) speaker cables for the three front speakers. Insert the connectors, as labeled, into jacks on the module as follows (Figure 5 on page 8).
  - R goes into the jack labeled Right Front.
  - C goes into the jack labeled Center Front.
  - L goes into the gray jack labeled Left Front.

SETTING UP

- Use the supplied 50-ft (15.2 m) speaker cables for the speakers at the rear of your room (Figure 5).

Insert them into the jacks on the module as follows:

- RR goes into the jack labeled Right Rear.
- CR goes into the jack labeled Center Rear. This speaker is provided only with an Acoustimass® 16 system.
- LR goes into the jack labeled Left Rear.

- At the other end of each cable, insert the red collared (+) wire into the red (+) terminal on one speaker. Insert the other wire into the other terminal (Figure 5).

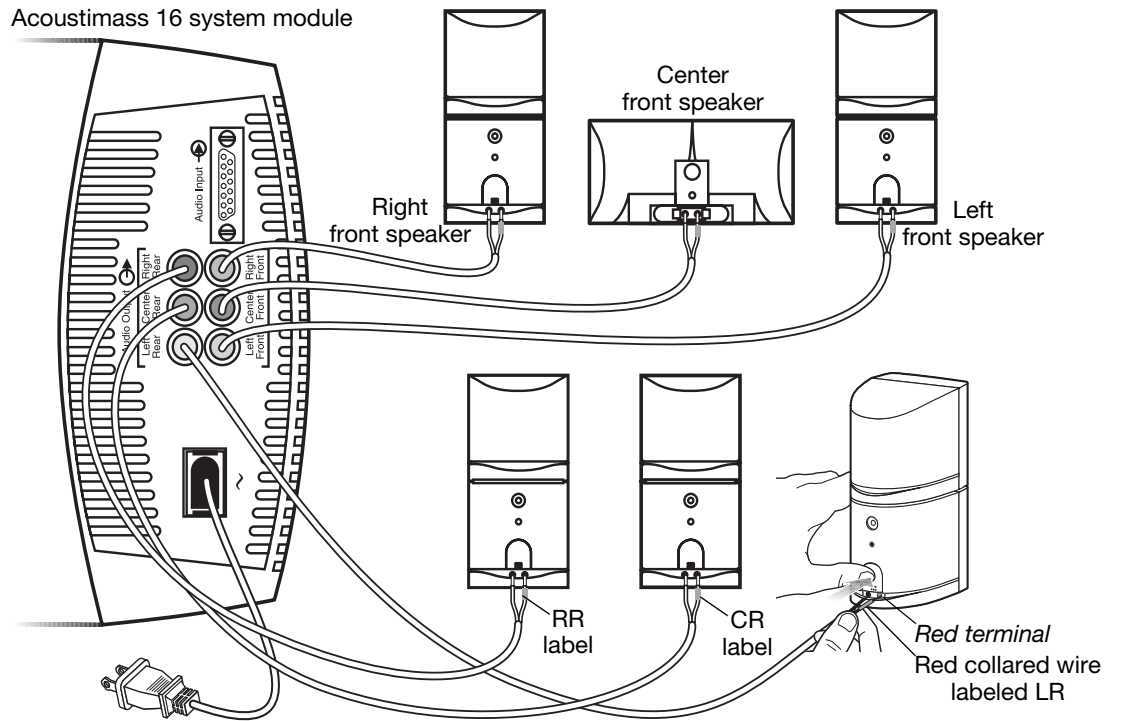
Notice a label on each red collared wire that matches it to the proper speaker:

- L for the speaker at the left front
- LR for the speaker at the left rear
- R for the speaker at the right front
- RR for the speaker at the right rear
- C for the speaker at the center front
- CR for the speaker at the center rear

**Note:** The Acoustimass 15 Series III system is designed for use with an optional center rear cube speaker array. For further details, see "Optional upgrade for your Acoustimass 15 system" on page 10.

**Figure 5**

Completing connections of the small speakers to your Acoustimass module



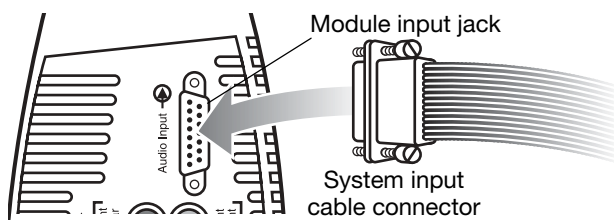


## Connecting the Acoustimass® module to the receiver

The system input cable is 20 feet (6.1 meter) long and connects the Acoustimass module to your surround sound receiver. Unlike the speaker cables, this input cable has a multi-pin connector that inserts into the Audio Input jack on the module (Figure 6).

**Figure 6**

System input cable connectors



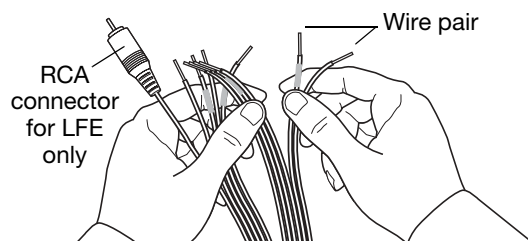
At the other end of the system input cable, multiple wire pairs that “unzip” for easy reach and insertion into terminals on your receiver (Figure 7). A red collar marks a wire as positive (+).

**CAUTION:** Do NOT connect your module to the TV, which lacks the required amplification.

The single RCA connector at that end is for use ONLY with a receiver that handles low-frequency effects and provides an LFE/SUBWOOFER jack (Figure 7).

**Figure 7**

Unzipping the paired wires



**CAUTION:** Before making these connections, turn off your receiver to prevent unwanted noises when you plug the Acoustimass® module into it.

To make the connections (Figure 8 on page 10):

1. Insert the multi-pin connector on the system input cable into the input jack on the Acoustimass module. Tighten the two thumbscrews to secure the connection.
2. Connect each wire pair on the other end of the system input cable to your surround receiver, which should have audio output terminals labeled:
  - Right, Left, Center for the front audio channels
  - Right Surround, Left Surround, and possibly Center Surround for the rear channels. The specific labels on your receiver may differ slightly.

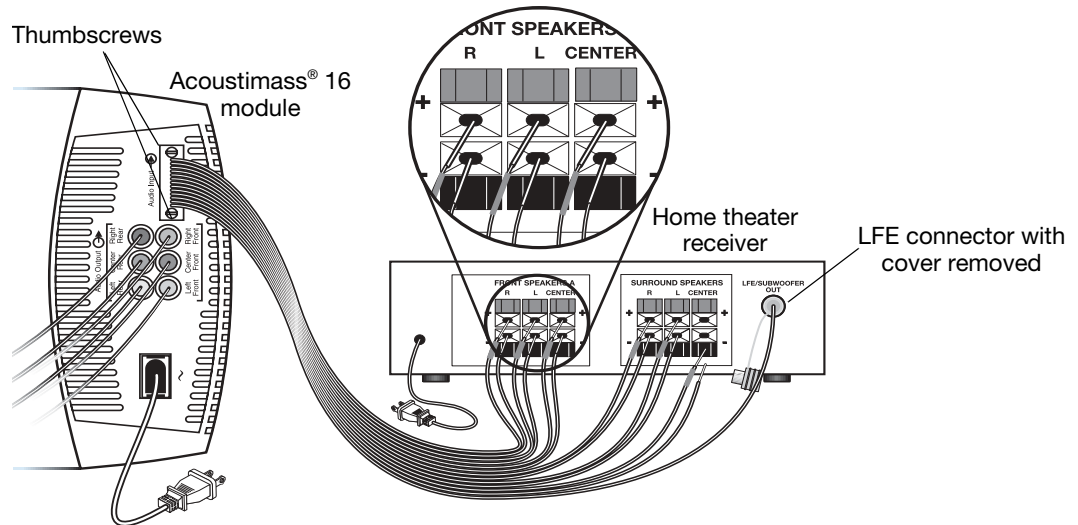
**CAUTION:** Do not allow exposed wires to brush against each other; this could damage your receiver.

3. Carefully match the polarity of the connections (+ to + and – to –).
  - Attach each red-collared wire (+) to the appropriate + terminal.
  - Attach each plain wire (–) to the appropriate – terminal.
4. If applicable to your receiver, insert the RCA plug marked LFE on the system input cable into the LFE/SUBWOOFER OUT jack on your surround receiver. Remove the cover first.

## SETTING UP

**Figure 8**

Acoustimass® module to receiver connections



## Checking and finalizing connections

Before plugging in the Acoustimass module, check all connections from the receiver to the module and the module to the small speakers (Figure 5 on page 8 and Figure 8).

- Make sure all cube speaker arrays are connected to the proper terminals according to their position in your room.
- Check to be sure all wires are connected to your surround receiver with the proper polarity (+ to + and – to – wires). Incorrect wiring can result in a total loss of module output.
- Correct any wiring problems before you plug in your receiver and turn it on.

When all the connections check out, plug the power cord from the Acoustimass module into an AC (mains) outlet. Plug in the receiver also.

**Note:** Bose recommends using a quality surge suppressor on all electronics equipment. Voltage variations and spikes can damage electronic components in any system. Using a high-quality suppressor (available at electronics stores) can eliminate the vast majority of failures caused by a power surge.

## Optional upgrade for your Acoustimass 15 system

Your Acoustimass 15 Series III speaker system can be upgraded to provide you with 6.1- or 6-channel surround sound.

The 6.1 upgrade kit contains one cube speaker array, a 50-foot (15.2 m) connecting cable, and complete connection instructions.

To purchase the 6.1 upgrade kit in the same color as your current system, contact your local authorized Bose® retailer. Or to contact Bose directly, see the address list included in the carton.

When ordering, you will need to provide the serial number of your Acoustimass module. Refer to “For your records” on page 2 if you recorded the number there. If not, you can locate the number on the rear of the module near the connection panel.

## Getting the most from your home theater speakers

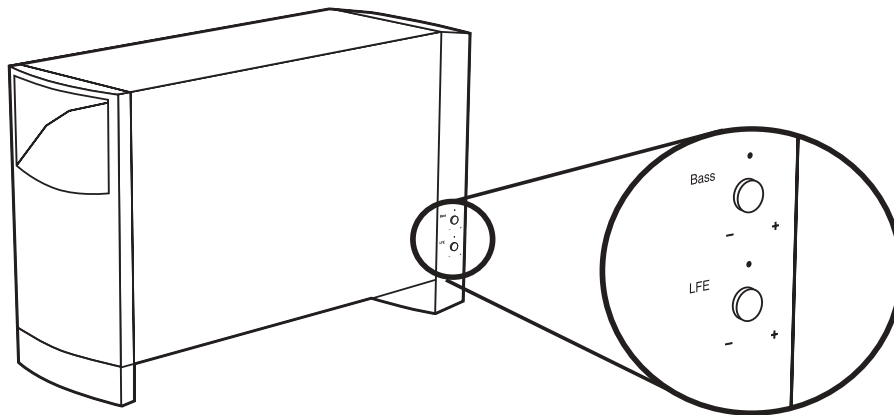
With system connections completed and the module plugged in, your Acoustimass® system is now ready for use.

You may want to familiarize yourself with the controls and built-in protections that adjust the audio of this system (Figure 9). They offer options to suit your particular style of use and preferences.

**⚠ CAUTION:** This system provides an automatic protection circuit to help guard against damage from electrical stresses and overload of the system. At high volume levels, the circuit activates to reduce output, which slightly decreases the volume. If you notice this decrease, be aware that your system is functioning as designed. This volume reduction also indicates that power input to the system may exceed safe levels. Sustained listening at these levels is not recommended.

**Figure 9**

Audio adjustment knobs



### Adjusting the bass/room compensation

After placing the Acoustimass module where you want it, you can fine-tune it for that location. Make this adjustment only as necessary.

For example:

- If the system performance is “thin” or lacks bass, turn the BASS control (shown above) clockwise to increase the low-frequency output of the module.
- If the audio is “boomy” or overemphasizes bass, turn the knob counter-clockwise to reduce the low-frequency output of the module.

The setting made at the factory is meant for use in the most common room arrangements.

### Adjusting the LFE level

The LFE (low-frequency effects) level control (shown above) is for use only with receivers that provide an LFE/SUBWOOFER channel.

By turning the knob, you can adjust the relative level of the low-frequency effects from movie soundtracks. Use it to match the volume level of the LFE channel with volume levels of your other speaker channels.

You can check all levels by using the “test tones” feature on your digital surround sound receiver. For details on using this feature, refer to the owner’s guide provided with your surround receiver.

## Setting your digital surround sound receiver

Speakers in your Bose® Acoustimass® 16 Series II or Acoustimass 15 Series III system are fully compatible with the audio output of digital surround receivers. The system's integrated signal processing supports full low-frequency reproduction from all channels.

To gain complete advantage of these system capabilities, you may want to adjust some settings on your receiver. To make changes, use the digital display menu on the receiver and refer to the list of recommended settings, below.

| <b>Speaker</b>            | <b>Receiver setting</b> |
|---------------------------|-------------------------|
| • Left and right          | LARGE                   |
| • Center                  | LARGE                   |
| • Left and right surround | LARGE                   |
| • Center surround*        | LARGE                   |
| • LFE/Subwoofer           | ON                      |

\* With an Acoustimass 16 Series II system or upgraded Acoustimass 15 Series III system only.

**Note:** If your receiver provides it, the LFE or Subwoofer option setting should be ON and the crossover value at the lowest number possible, which is typically 80 Hz.

### Receiving a digital audio signal

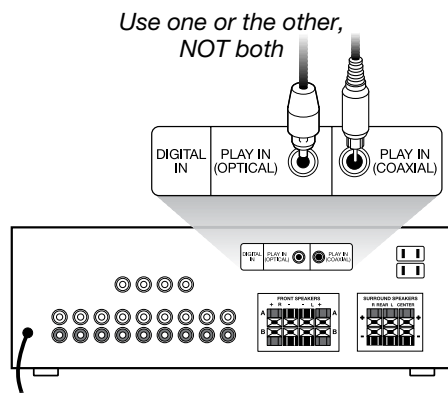
For the digital audio signal from your DVD player to reach your surround receiver, you need a *digital audio* connection between the DVD player and receiver (Figure 10).

1. Use either the Optical or Coaxial input (not both) on the receiver to connect to the digital output from the DVD.
2. Be sure to select the digital output in the setup menu of your DVD player.

For additional setup and operating information, please refer to the owner's guide that came with your surround receiver.

**Figure 10**

Digital signal receiver connections



## Setting your analog surround sound receiver

For analog (non-digital) surround sound applications, we recommend that you set the surround sound center mode of your receiver to Wide. For instructions on how to change this setting, refer to the owner's guide provided with your surround receiver.

## Troubleshooting

If you have a problem with your Acoustimass® speaker system, turn off your sound source and try the following solutions. If you still have a problem, contact your Bose® dealer to arrange for service. To contact Bose directly, refer to the address list included in the carton.

| <b>Problem</b>                  | <b>What to do</b>   |
|---------------------------------|---|
| System does not function at all | <ul style="list-style-type: none"> <li>• Make sure the receiver and powered Acoustimass module are plugged into an operating AC outlet and that the receiver is plugged in and turned on.</li> <li>• Be sure to select an audio source on the receiver (video, CD, DVD, tuner).</li> </ul>  |
| No sound                        | <ul style="list-style-type: none"> <li>• Increase the volume.</li> <li>• Disconnect any headphones.</li> <li>• Check the speaker connections.</li> <li>• Make sure that both the powered Acoustimass module and the receiver are plugged in.</li> <li>• For digital sound, be sure a coaxial or optical cable connects the digital output of the DVD player with the digital input on your receiver.</li> <li>• Be sure the audio source selected is correct. For example, select DVD audio on your receiver to hear the DVD sound.</li> </ul>  |
| No surround sound               | <ul style="list-style-type: none"> <li>• Make sure the source material contains surround sound.</li> <li>• If you are using the Dolby Pro-Logic mode on your receiver, make sure surround sound is turned on.</li> <li>• Be sure the source material (DVD, laser disc, or broadcast programming) is Dolby Digital encoded.</li> <li>• Be sure your receiver is processing a signal from a Hi-Fi VCR, stereo TV, laserdisc, or DVD player, or other surround sound source.</li> <li>• If you are using digital programming, verify that the settings are correct at the receiver.</li> </ul> |
| No bass                         | <ul style="list-style-type: none"> <li>• Be sure the speaker connections from the receiver to the amplifier are in the correct phase, red collared wired to red jack (+ to +).</li> </ul>   |
| Not enough or too much bass     | <ul style="list-style-type: none"> <li>• Move your Acoustimass module closer to a wall or corner to increase bass. Move it farther from a wall or corner to decrease bass.</li> <li>• Adjust the LFE level or Room Compensation control.</li> </ul>   |
| Sound is distorted              | <ul style="list-style-type: none"> <li>• Make sure your speaker wire is not damaged.</li> <li>• Reduce the volume of external components connected to the receiver.</li> </ul>  |

## Customer service

For additional help in solving problems, contact the Bose Customer Service office appropriate to your area. See the address list included in the carton.

## Cleaning the speakers

The cabinets of your Acoustimass speaker system may be cleaned only with a soft dry cloth. Do not use any sprays near the system or allow liquids to spill into any openings. Also, do not use any solvents, chemicals, or cleaning solutions containing alcohol, ammonia, or abrasives.

The grille assemblies on the cube arrays may be carefully vacuumed, if necessary. Please note that the drivers are located directly behind the grille cloth and are easily damaged if reasonable care is not taken.

## Limited warranty

Your Acoustimass® speaker system is covered by a limited transferable warranty. Details of the limited warranty are provided on the warranty card that came with your system.

Please fill out the information section on the card and mail it to Bose. Failure to do so, however, does not affect your rights.

## Accessories

Bose offers the following accessories in colors to match and add to your enjoyment of the Acoustimass speaker system.

- UTS-20 table stands
- UFS-20 floor stands
- UB-20 wall brackets
- Speaker wire adapter kit for use with in-wall wiring from the Acoustimass module to the small speakers. Available in black, white, or silver.

For further details or to place an order for the accessories described above, contact your authorized Bose® dealer or visit the Bose website: [www.bose.com](http://www.bose.com).

For further information or to order the accessories below, contact your authorized Bose dealer. Or to contact Bose directly, refer to the address list included in the carton.

- Input cable adapter for use with in-wall wiring from the Acoustimass module to the receiver.
- 20-ft (6.1 m) extension cable for use between the Acoustimass module and the receiver.

## Technical information

### Speaker driver complement

Cube speaker arrays and center front speaker: two 2.50" (6.35 cm) Twiddler™ speakers  
Powered Acoustimass module: Three 5.25" (13 cm) woofers

### System power rating

U.S./Canada: 100-127V ~ 50/60 Hz 400 W

Europe/Australia: 220-240V ~ 50/60 Hz 400 W

### Compatibility

Compatible with A/V receivers and amplifiers rated from 10 to 200 watts per channel, rated from 4 to 8 ohms

### Speaker weight/size

Each cube speaker array and center front speaker: 2.4 lb (1.1 kg)

6.2"H x 3.1"W x 4.0"D

(15.7 cm x 7.8 cm x 10.2 cm)

Acoustimass module: 45 lb (20.3 kg)

16.3"H x 8.1"W x 29.1"D

(41.4 cm x 20.6 cm x 73.9 cm)

### Packed system weight

Acoustimass 16 Series II system: 72.5 lb (32.6 kg)

Acoustimass 15 Series III system: 75 lb (33.8 kg)



# INFORMACIÓN DE SEGURIDAD

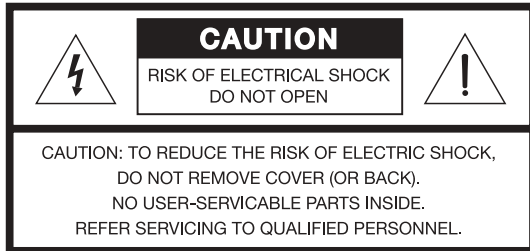
## Lea esta guía del usuario.

Dedique el tiempo que sea necesario para seguir atentamente las instrucciones de esta guía, que le ayudará a configurar y utilizar correctamente el sistema y a disfrutar de todas sus funciones avanzadas. Guarde la guía del usuario para utilizarla como material de referencia en el futuro.

## Medidas de seguridad

**ADVERTENCIA:** Con el fin de reducir el riesgo de descarga eléctrica, no exponga el módulo autoamplificado Acoustimass® a la lluvia o humedad.

**ADVERTENCIA:** No coloque sobre el aparato llamas vivas como, por ejemplo, velas.



Las indicaciones de PRECAUCIÓN están situadas en la parte posterior del módulo de Acoustimass:



El símbolo de relámpago con una flecha dentro de un triángulo equilátero indica al usuario que la caja del sistema puede contener una tensión sin aislar de magnitud suficiente para constituir un riesgo de descarga eléctrica.



El signo de exclamación dentro de un triángulo equilátero, tal como aparece marcado en el sistema, avisa al usuario de que existen instrucciones de operación y mantenimiento importantes en esta guía del usuario.

**ADVERTENCIA:** Para evitar que se produzcan descargas eléctricas, haga coincidir la patilla ancha de la clavija del cable de línea con la ranura ancha de la toma de red e insértela completamente.

## Información de seguridad adicional

Consulte la información de seguridad adicional de la hoja Instrucciones de seguridad importantes que se incluye con el sistema de altavoces.

### Para conservar como referencia

El número de serie del sistema está situado en la parte posterior del módulo de Acoustimass.

Número de serie: \_\_\_\_\_

Nombre del distribuidor: \_\_\_\_\_

Teléfono del distribuidor: \_\_\_\_\_ Fecha de compra: \_\_\_\_\_

Conserve el recibo de compra y la tarjeta de garantía junto con esta guía del usuario.

©2006 Bose Corporation. Ninguna parte de esta obra puede reproducirse, modificarse, distribuirse o usarse de ninguna otra manera sin consentimiento previo por escrito.

Fabricado con licencia de Dolby Laboratories. "Dolby" y el símbolo de las dos D son marcas comerciales de Dolby Laboratories. Obras confidenciales no publicadas. ©1992-1997 Dolby Laboratories. Reservados todos los derechos.



|   |           |
|---|-----------|
| <b>INSTALACIÓN</b>  | <b>4</b>  |
| Desembalaje de la caja  | 4         |
| Selección de la ubicación de los altavoces                    | 5         |
| Ubicación del altavoz frontal central                         | 6         |
| Ubicación de los altavoces frontales izquierdo y derecho      | 6         |
| Ubicación de los altavoces traseros                           | 6         |
| Ubicación del módulo Acoustimass®                             | 7         |
| Conexiones  | 7         |
| Conexión de los altavoces al módulo Acoustimass               | 7         |
| Conexión del módulo Acoustimass® al receptor                  | 9         |
| Comprobación y terminación de las conexiones                  | 10        |
| Actualización opcional para el sistema Acoustimass 15         | 10        |
| <b>USO DEL SISTEMA</b>  | <b>11</b> |
| Cómo sacar el máximo partido de los altavoces de cine en casa | 11        |
| Ajuste de la compensación de graves/ambiente                  | 11        |
| Ajuste del nivel de LFE                                       | 11        |
| Configuración del receptor de sonido envolvente digital       | 12        |
| Recepción de una señal de audio digital                       | 12        |
| Configuración del receptor de sonido envolvente analógico     | 12        |
| <b>REFERENCIA</b>   | <b>13</b> |
| Problemas y soluciones  | 13        |
| Servicio al cliente   | 13        |
| Cómo limpiar los altavoces                                    | 13        |
| Garantía limitada   | 14        |
| Accesorios  | 14        |
| Información técnica   | 14        |

# INSTALACIÓN

## Antes de comenzar

Gracias por elegir el sistema de altavoces de entretenimiento para el hogar Acoustimass® 16 Serie III o 15 Serie III de Bose®. Cada sistema presenta una combinación de conjuntos de altavoces cúbicos, altavoz frontal central y módulo autoamplificado Acoustimass. En conjunto reproducen toda la gama de sonido de programación digital multicanal para brindar una experiencia de cine en casa potente y realista.

## Desembalaje de la caja

Desembale con cuidado el contenido de la caja:

1. Retire la caja interior de color marrón que contiene los conjuntos de altavoces cúbicos y el altavoz frontal central.
2. Coloque suavemente la caja grande sobre uno de los lados y extraiga el módulo Acoustimass.

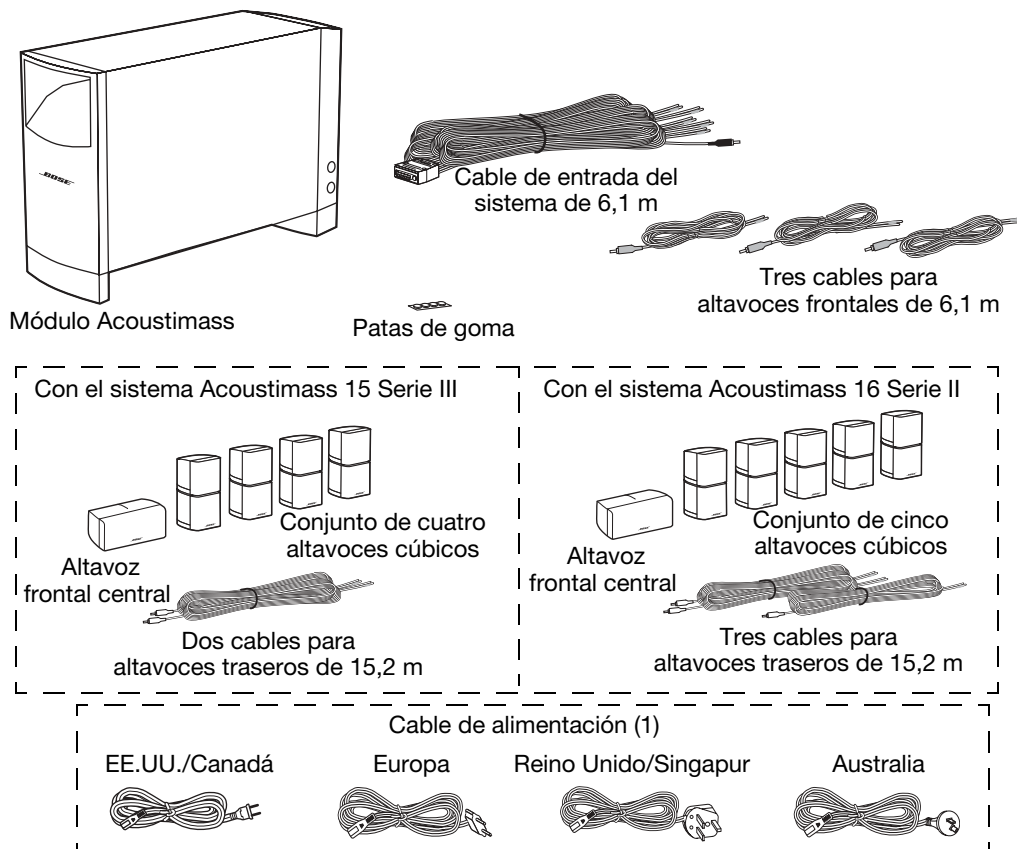
**ADVERTENCIA:** Tenga cuidado al levantar el módulo (pesa 15 kg) para evitar lastimarse.

Conserve todo el material de embalaje por si necesitara utilizarlo en el futuro, pues es la forma más segura de transportar el sistema.

Si algún elemento parece dañado, no lo utilice. Vuelva a guardar el sistema en la caja original y póngase en contacto con su distribuidor Bose autorizado. Para llamar a Bose directamente, consulte la hoja de direcciones incluida en el paquete.

**Figura 1**

Contenido de la caja



Este es el momento de anotar el número de serie de este sistema en la página 2 de esta guía y en la tarjeta de garantía.

**ADVERTENCIA:** Para evitar riesgos de asfixia, mantenga fuera del alcance de los niños las bolsas de plástico que envuelven los altavoces.

## Selección de la ubicación de los altavoces

Tenga en cuenta estas directrices a la hora de seleccionar una ubicación para cada altavoz:

- Seleccione una superficie estable y plana para cada uno de los altavoces pequeños. La vibración puede causar el movimiento de los altavoces, en particular sobre superficies lisas de mármol, cristal o madera muy pulida. Para evitarlo se suministran patas de goma que se montan en la parte inferior del altavoz frontal central.

🎵 **Nota:** Puede solicitar patas de goma adicionales gratuitas dirigiéndose a Bose. Consulte la lista de direcciones incluida en la caja.

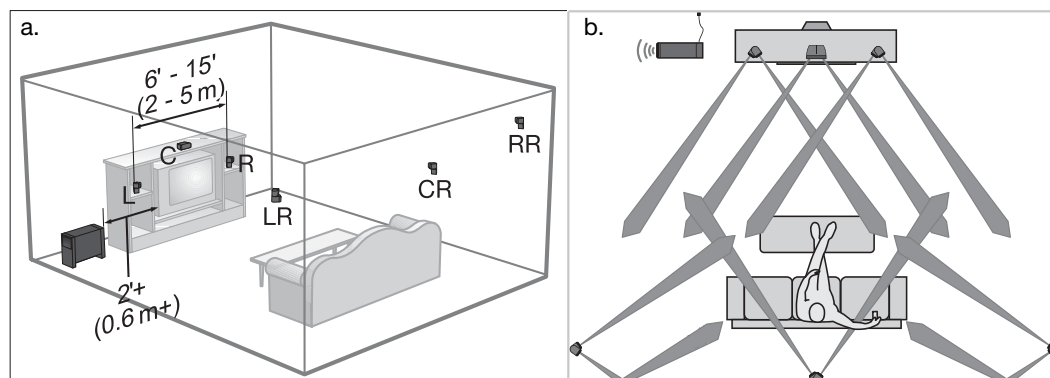
- El altavoz frontal central se emplea en la parte delantera de la habitación y próximo al centro del televisor.
- Los conjuntos de altavoces cúbicos del sistema son idénticos y pueden emplearse de manera intercambiable.
- Los cubos inferior y superior de cada conjunto de altavoces pueden girarse para crear patrones de sonido que llenan el espacio (b y d).
- Todos los altavoces pequeños están protegidos magnéticamente a fin de evitar interferencias con la imagen de la televisión.
- El módulo Acoustimass® debe situarse a un mínimo de 0,6 m del televisor para evitar interferencias.

El forma y el tamaño de la sala y la ubicación del mobiliario afectarán a la ubicación de los altavoces. Utilice los ejemplos siguientes como base, no como reglas, para configurar su sistema de cine en casa.

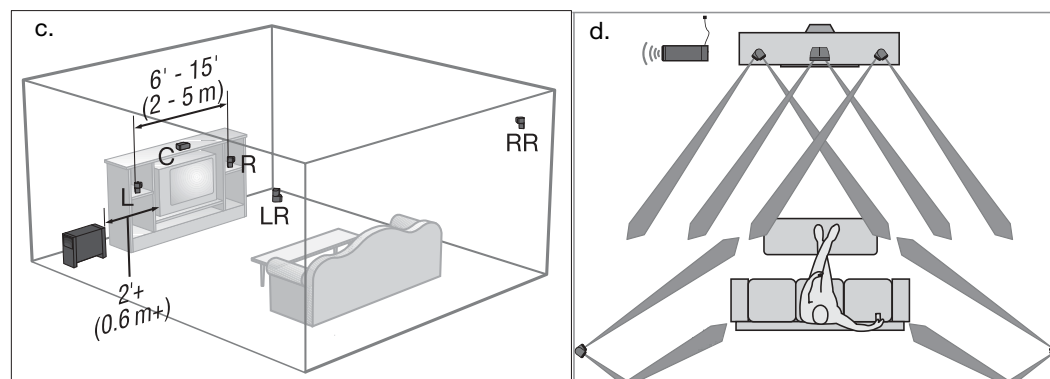
### Figura 2

Ejemplo de ubicación de los altavoces (a y c) y resultados sobre el rendimiento (b y d)

Sistema Acoustimass 16



Sistema Acoustimass 15



Los soportes para pared y los pedestales de mesa o suelo Bose® aumentan las opciones de ubicación de los altavoces. Para obtener más información, consulte “Accesorios” en la página 14.

- 🎵 **Nota:** El sistema Acoustimass® 15 Serie III está diseñado para uso con un conjunto opcional de altavoces cúbicos traseros centrales. Para obtener más información, consulte “Actualización opcional para el sistema Acoustimass 15” en la página 10.

### **Ubicación del altavoz frontal central**

El sonido del altavoz frontal central debe parecer que procede del interior de la imagen para dar una sensación más realista en la acción y el diálogo de la pantalla.

- Coloque el altavoz frontal central por encima, por debajo o directamente sobre su televisor. NO coloque el peso del televisor sobre el altavoz.
- Si es posible, manténgalo en línea con el centro vertical de la pantalla para conseguir la reproducción más precisa del diálogo (como se muestra en la Figura 2 en la página 5).

- ⚠️ **PRECAUCIÓN:** Antes de colocar el altavoz frontal central sobre el televisor, monte las cuatro patas de goma suministradas a la parte inferior del altavoz. Sitúe dos de las patas cerca del borde frontal y próximas entre sí en la superficie inferior. Coloque las otras dos patas en las esquinas posteriores de la parte inferior.

### **Ubicación de los altavoces frontales izquierdo y derecho**

El objetivo de estos altavoces es crear un espacio acústico que sea más ancho que la pantalla y que proporcione un sonido más natural a los espectadores independientemente de en qué parte de la habitación se encuentren.

- Sitúe los conjuntos de altavoces cúbicos frontales a los lados del televisor.
- Deberán guardar una distancia de 2 a 5 m (como se muestra en la Figura 2 en la página 5).

### **Ubicación de los altavoces traseros**

Si bien los altavoces traseros (de sonido envolvente) pueden emitir algunos diálogos, su función básica es proporcionar sonidos diferenciados y efectos especiales que amplíen la imagen visual. Ayudan a transportar al espectador al centro mismo de la acción.

Elija ubicaciones que sean prácticas y cómodas, teniendo en cuenta estas recomendaciones:

- Sitúe los conjuntos de altavoces cúbicos traseros izquierdo y derecho para que el sonido le llegue al espectador desde ambos lados, en lugar de directamente desde atrás (como se muestra en la Figura 2 en la página 5).
- Sitúe estos altavoces como mínimo a la altura de los oídos de un espectador sentado.
- Gire los cubos superior e inferior de cada altavoz para dirigir el sonido hacia las áreas que quedan delante y detrás del espectador.
- Si el sistema dispone de un altavoz trasero central, sitúelo a medio camino entre los altavoces traseros izquierdo y derecho (como se muestra en la Figura 2 en la página 5).

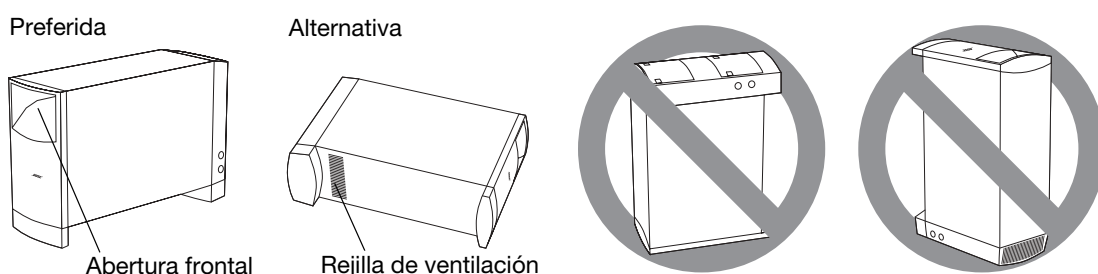
### Ubicación del módulo Acoustimass®

La tecnología de los altavoces Bose® Acoustimass® hace que resulte difícil localizar la fuente del sonido de baja frecuencia de este módulo. Por tanto, puede ocultarlo de la vista y, además:

- Coloque el módulo en el mismo extremo de la habitación que el televisor.
- Mantenga el módulo a un mínimo de 0,6 m del televisor para evitar interferencias.
- Para incrementar el efecto de los graves, gire la abertura frontal hacia una pared; para reducirlo, apártela de la pared.
- Mantenga la abertura frontal y la rejilla de ventilación de la parte inferior del módulo a un mínimo de 5 cm de cualquier otra superficie.
- No bloquee la rejilla de ventilación situada en la parte inferior del módulo. Si bloquea la ventilación puede producirse una reducción de la salida de las frecuencias de graves desde el módulo.

**Figura 3**

Opciones de ubicación del módulo Acoustimass



### Conexiones

Sólo el módulo Acoustimass se conecta al receptor. El pequeño altavoz frontal central y los conjuntos de altavoces cúbicos se conectan directamente al módulo Acoustimass.

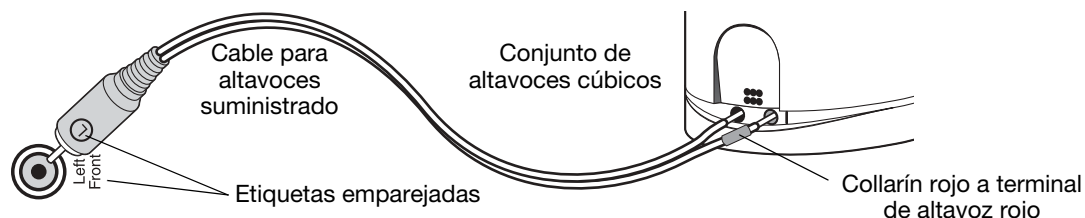
**ADVERTENCIA:** La conexión de los altavoces pequeños a un receptor puede producir daños en el sistema y descargas eléctricas.

#### Conexión de los altavoces al módulo Acoustimass

Inserte el conector de cada cable para altavoces en la toma del módulo. Consulte la etiqueta de cada conector para emparejarlo con la toma correspondiente.

**Figura 4**

Conexión del cable para altavoces a una salida del módulo y al altavoz



1. Utilice los cables para altavoces de 6,1 m suministrados para los tres altavoces frontales. Inserte los conectores, de acuerdo con sus etiquetas, en las tomas del módulo del modo siguiente (Figura 5 en la página 8).
  - R va a la toma con la etiqueta Right Front (frontal derecho).
  - C va a la toma con la etiqueta Center Front (frontal central).
  - L va a la toma gris con la etiqueta Left Front (frontal izquierdo).

2. Utilice los cables de 15,2 m suministrados para los altavoces de la parte posterior de la habitación (Figura 5).

Insérteles en las tomas del módulo de este modo:

- RR va a la toma con la etiqueta Right Rear (trasero derecho).
  - CR va a la toma con la etiqueta Center Rear (trasero central). Este altavoz sólo se suministra con un sistema Acoustimass® 16.
  - LR va a la toma con la etiqueta Left Rear (trasero izquierdo).
3. En el otro extremo de cada cable, inserte el cable con collarín rojo (+) en el terminal rojo (+) de un altavoz. Inserte el otro cable en el otro terminal (Figura 5).

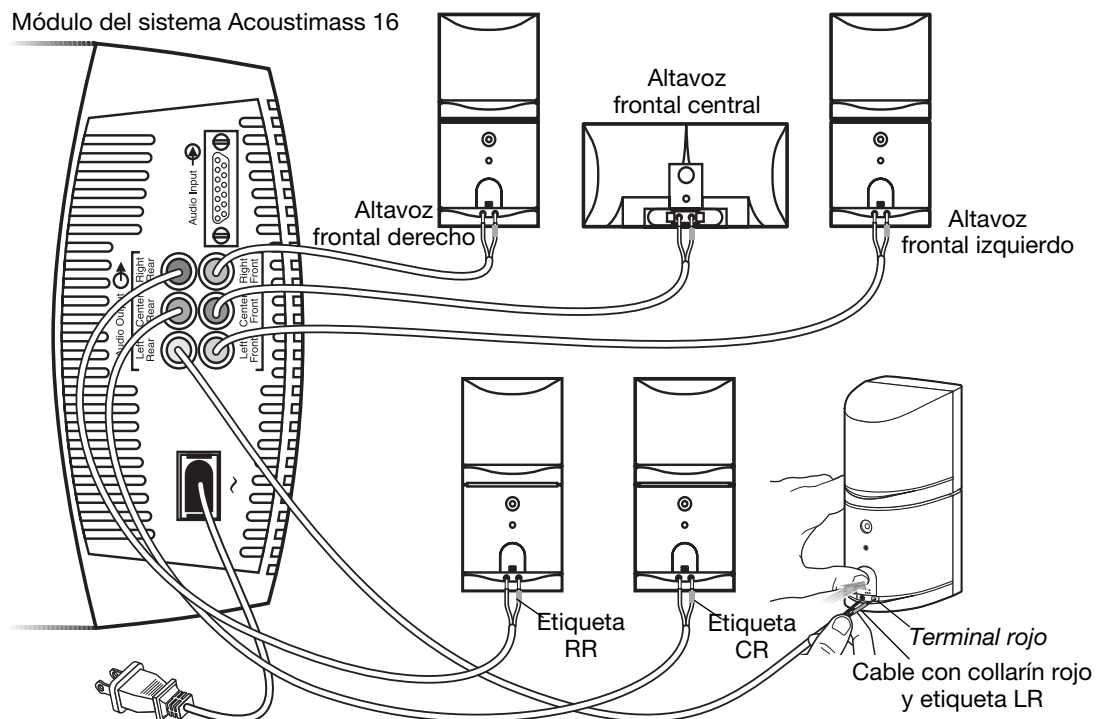
Observe una etiqueta en cada cable con collarín rojo que coincide con el altavoz correspondiente:

- |   |  |
|---|--|
| • L para el altavoz de la parte frontal izquierda | • LR para el altavoz de la parte trasera izquierda |
| • R para el altavoz de la parte frontal derecha   | • RR para el altavoz de la parte trasera derecha   |
| • C para el altavoz de la parte frontal central   | • CR para el altavoz de la parte trasera central   |

🎵 **Nota:** El sistema Acoustimass 15 Serie III está diseñado para uso con un conjunto opcional de altavoces cúbicos traseros centrales. Para obtener más información, consulte "Actualización opcional para el sistema Acoustimass 15" en la página 10.

**Figura 5**

Realización de las conexiones de los altavoces pequeños con el módulo Acoustimass

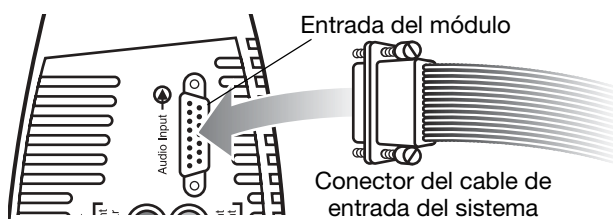


## Conexión del módulo Acoustimass® al receptor

El cable de entrada del sistema tiene 6,1 metros de largo y conecta el módulo Acoustimass al receptor de sonido envolvente. A diferencia de los cables para altavoces, este cable de entrada dispone de un conector de múltiples contactos que se inserta en la entrada de audio del módulo (Figura 6).

**Figura 6**

Conectores del cable de entrada del sistema



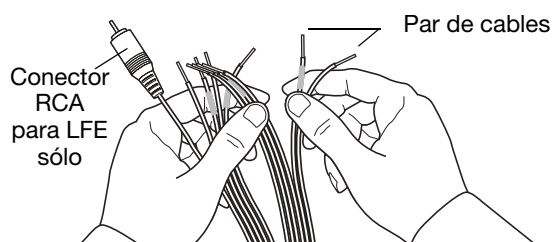
En el otro extremo del cable de entrada del sistema, múltiples pares de cables que se separan para facilitar el acceso y la inserción en los terminales del receptor (Figura 7). Un collarín rojo indica que el cable es positivo (+).

**⚠ PRECAUCIÓN:** NO conecte el módulo al televisor, que carece de la amplificación necesaria.

El conector RCA individual de ese extremo debe emplearse ÚNICAMENTE con un receptor que gestione efectos de baja frecuencia y proporcione una toma LFE/SUBWOOFER (Figura 7).

**Figura 7**

Separación de los cables emparejados



**⚠ PRECAUCIÓN:** Antes de realizar estas conexiones, apague el receptor para evitar ruidos no deseados cuando conecte el módulo Acoustimass® en él.

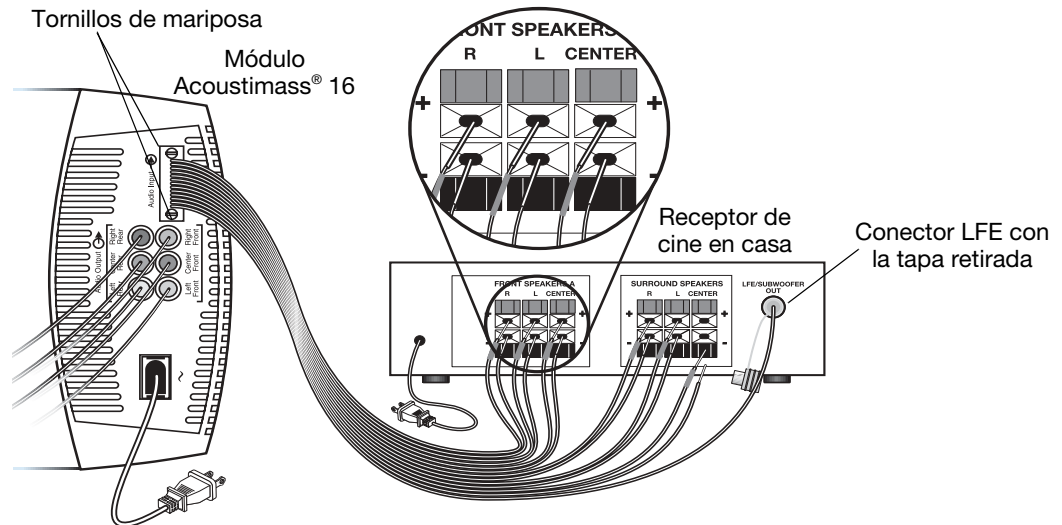
Para realizar las conexiones (Figura 8 en la página 10):

1. Inserte el conector de múltiples contactos del cable de entrada del sistema en la entrada del módulo Acoustimass. Ajuste los dos tornillos de mariposa para fijar la conexión.
2. Conecte los pares de cables del otro extremo del cable de entrada del sistema al receptor de sonido envolvente, que deberá tener terminales de salida de audio con las etiquetas:
  - Right (derecho), Left (izquierdo), Center (centro) para los canales de audio frontales
  - Right Surround (envolvente derecho), Left Surround (envolvente izquierdo) y, posiblemente, Center Surround (envolvente central) para los canales posteriores. Las etiquetas específicas de su receptor pueden variar ligeramente.
3. Asegúrese de hacer coincidir la polaridad de las conexiones (+ a + y - a -).
  - Conecte cada cable con collarín rojo (+) al terminal + correspondiente.
  - Conecte cada cable normal (-) al terminal - correspondiente.
4. Si lo permite su receptor, inserte el conector RCA del cable de entrada del sistema que lleva la marca LFE a la salida LFE/SUBWOOFER del receptor de sonido envolvente. Primero retire la tapa.

## INSTALACIÓN

**Figura 8**

Conexiones del módulo Acoustimass® al receptor



## Comprobación y terminación de las conexiones

Antes de conectar el módulo Acoustimass, compruebe todas las conexiones del receptor al módulo y de éste a los altavoces pequeños (Figura 5 en la página 8 y Figura 8).

- Asegúrese de que todos los conjuntos de altavoces cúbicos están conectados a los terminales correspondientes apropiados con arreglo a sus posiciones en la habitación.
- Compruebe que todos los cables están conectados al receptor de sonido envolvente con la polaridad adecuada (cables de + a + y de - a -). Si conecta incorrectamente los cables, puede producirse una pérdida total de salida del módulo.
- Corrija cualquier problema de cableado antes de conectar el receptor y luego enciéndalo.

Después de comprobar todas las conexiones, conecte el cable de alimentación desde el módulo Acoustimass hasta la toma de la red eléctrica. Conecte también el receptor.

🎵 **Nota:** Bose le recomienda utilizar supresores de sobretensiones de calidad en todos los equipos electrónicos. Las variaciones y picos de voltaje pueden dañar los componentes electrónicos de cualquier sistema. Los supresores de calidad (disponibles en tiendas de electrónica) son capaces de eliminar la inmensa mayoría de las averías causadas por sobretensiones.

## Actualización opcional para el sistema Acoustimass 15

Puede actualizar su sistema de altavoces Acoustimass 15 Serie III a fin de obtener sonido envolvente de canal 6.1 o 6.

El kit de actualización 6.1 contiene un conjunto de altavoces cúbicos, un cable de conexión de 15,2 m e instrucciones completas de conexión.

Para adquirir el kit de actualización 6.1 del mismo color que su sistema, póngase en contacto con su distribuidor Bose® autorizado. Si desea ponerse en contacto con Bose directamente, consulte la hoja de direcciones incluida en la caja.

Cuando realice su pedido, deberá facilitar el número de serie de su módulo Acoustimass. Consulte "Para conservar como referencia" en la página 2 si ha anotado allí el número. En caso contrario, podrá localizar el número en la parte posterior del módulo, cerca del panel de conexión.



## Cómo sacar el máximo partido de los altavoces de cine en casa

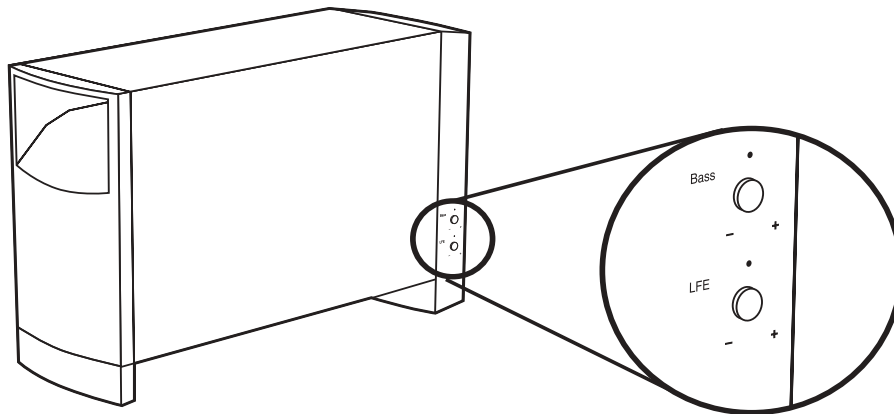
Después de realizar las conexiones del sistema y de conectar el módulo, el sistema Acoustimass® está listo para utilizar.

Le conviene familiarizarse con los controles y las protecciones incorporadas que ajustan el audio de este sistema (Figura 9), ya que ofrecen opciones que se adaptan a su estilo específico de uso y a sus preferencias.

**⚠ PRECAUCIÓN:** Este sistema proporciona un circuito de protección automática que le ayuda a evitar daños ocasionales por tensiones eléctricas y sobrecargas del sistema. Cuando el volumen es muy alto, el circuito se activa para reducir la salida, reduciendo ligeramente el volumen. Si observa esta reducción del volumen, el sistema está funcionando correctamente. Esta reducción también indica que la entrada de potencia al sistema puede superar los niveles de seguridad. No se recomienda la audición continua a estos niveles.

**Figura 9**

Mandos de ajuste del sonido



### Ajuste de la compensación de graves/ambiente

Después de colocar el módulo Acoustimass en el lugar deseado, puede ajustarlo para esta ubicación específica. Realice este ajuste sólo si es necesario.

Por ejemplo:

- Si no se aprecian los graves, gire el control BASS (mostrado más arriba) en el sentido de las agujas del reloj para incrementar la salida de baja frecuencia del módulo.
- Si los graves están sobrecargados, gire el mando en el sentido contrario al de las agujas del reloj para reducir la salida de baja frecuencia del módulo.

El ajuste de fábrica está destinado a las disposiciones de habitación más comunes.

### Ajuste del nivel de LFE

El control del nivel de LFE (efectos de baja frecuencia) (mostrado más arriba) se utiliza con receptores que proporcionan un canal LFE/SUBWOOFER.

Si gira el mando podrá ajustar el nivel relativo de los efectos de baja frecuencia de las bandas sonoras de las películas. Utilícelo para ajustar el nivel del volumen del canal LFE a los niveles de los otros canales del altavoz.

Puede comprobar todos los niveles empleando la función “tonos de prueba” del receptor de sonido envolvente digital. Para obtener más información sobre el uso de esta función, consulte la guía del usuario suministrada con el receptor de sonido envolvente.

## Configuración del receptor de sonido envolvente digital

Los altavoces del sistema Acoustimass® 16 Serie II o Acoustimass 15 Serie III de Bose® son totalmente compatibles con la salida de audio de los receptores de sonido envolvente digital. El procesamiento integrado de señales del sistema permite la reproducción completa de bajas frecuencias desde todos los canales.

Para aprovechar al máximo estas funciones del sistema, puede realizar algunos ajustes en el receptor. Para realizar cambios, utilice el menú de la pantalla del receptor y consulte a continuación la lista de ajustes recomendados.

| <b>Altavoz</b>                          | <b>Ajuste del receptor</b> |
|---|----------------------------|
| • Izquierdo y derecho                   | GRANDE                     |
| • Central                               | GRANDE                     |
| • Sonido envolvente izquierdo y derecho | GRANDE                     |
| • Sonido envolvente central*            | GRANDE                     |
| • LFE/Subwoofer                         | ACTIVO                     |

\* Sólo con un sistema Acoustimass 16 Serie II o un sistema Acoustimass 15 Serie III actualizado.

🎵 **Nota:** Si su receptor lo permite, la opción LFE o Subwoofer deberá ajustarse como ON (ACTIVO) y el valor del separador, con el número más bajo posible, que suele ser 80 Hz.

### Recepción de una señal de audio digital

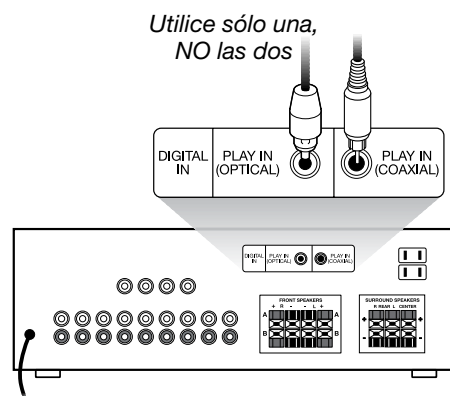
Para que la señal de audio digital del reproductor de DVD llegue al receptor de sonido envolvente, necesita una conexión de *audio digital* entre el reproductor de DVD y el receptor (Figura 10).

1. Utilice la entrada óptica o coaxial (no ambas) del receptor para conectar la salida digital desde el DVD.
2. Asegúrese de seleccionar la salida digital en el menú de configuración del reproductor de DVD.

Para obtener información adicional referente a la configuración y el manejo del receptor, por favor, consulte la guía del usuario del receptor de sonido envolvente.

**Figura 10**

Conexiones del receptor de señales digitales



## Configuración del receptor de sonido envolvente analógico

Para aplicaciones de sonido envolvente analógico (no digital), le recomendamos que establezca el modo central de sonido envolvente del receptor en Wide (ancho).

Si desea instrucciones sobre cómo cambiar este ajuste, consulte la guía del usuario suministrada con el receptor de sonido envolvente.

## Problemas y soluciones

En caso de problemas con el sistema de altavoces Acoustimass®, apague la fuente de sonido e intente las soluciones indicadas a continuación. Si el problema persiste, solicite asistencia técnica a su distribuidor Bose®. Para ponerse en contacto directamente con Bose, consulte la lista de direcciones incluida en el paquete.

| <b>Problema</b>                    | <b>Acción</b>  |
|------------------------------------|--|
| El sistema no funciona en absoluto | <ul style="list-style-type: none"> <li>• Asegúrese de que el receptor y el módulo autoamplificado Acoustimass están enchufados en una toma de corriente alterna que funcione correctamente y de que el receptor está conectado y encendido.</li> <li>• No olvide seleccionar una fuente de audio en el receptor (vídeo, CD, DVD, sintonizador).</li> </ul>   |
| No se oye nada                     | <ul style="list-style-type: none"> <li>• Suba el volumen.</li> <li>• Desconecte los auriculares.</li> <li>• Verifique las conexiones de los altavoces.</li> <li>• Asegúrese de que el módulo autoamplificado Acoustimass y el receptor están conectados.</li> <li>• Para obtener sonido digital, asegúrese de conectar la salida digital del reproductor de DVD a la entrada digital del receptor mediante un cable coaxial u óptico.</li> <li>• Asegúrese de que la fuente de audio seleccionada es la correcta. Por ejemplo, seleccione audio de DVD en el receptor para obtener sonido de DVD.</li> </ul>   |
| No hay sonido envolvente           | <ul style="list-style-type: none"> <li>• Compruebe que el material de la fuente contiene sonido envolvente.</li> <li>• Si está utilizando el modo Dolby Pro-Logic en el receptor, compruebe que el sonido envolvente está activado.</li> <li>• Asegúrese de que la fuente (DVD, disco láser o programación de emisión) está codificada para Dolby Digital.</li> <li>• Asegúrese de que el receptor está procesando una señal procedente de un reproductor de vídeo de alta fidelidad, un televisor estéreo, un disco láser, un reproductor de DVD u otra fuente de sonido envolvente.</li> <li>• Si está utilizando programación digital, verifique que los ajustes son correctos en el receptor.</li> </ul> |
| Los graves no suenan               | <ul style="list-style-type: none"> <li>• Compruebe que las conexiones de altavoces del receptor al amplificador se encuentran en la fase correcta, el cable con collarín rojo con la toma roja (de + a +).</li> </ul>  |
| Graves insuficientes o exagerados  | <ul style="list-style-type: none"> <li>• Para aumentar los graves, acerque más el módulo Acoustimass a una pared o a una esquina. Para reducir los graves, sepárelo más de la pared o de la esquina.</li> <li>• Ajuste el nivel de LFE o el control de compensación ambiental.</li> </ul>  |
| El sonido está distorsionado       | <ul style="list-style-type: none"> <li>• Asegúrese de que los cables de los altavoces no están dañados.</li> <li>• Reduzca el volumen de los componentes externos conectados al receptor.</li> </ul>   |

## Servicio al cliente

Si desea obtener ayuda adicional para resolver un problema, póngase en contacto con el Servicio de atención al cliente de Bose. Consulte la lista de direcciones incluida en la caja.

## Cómo limpiar los altavoces

Sólo debe limpiar las cajas del sistema de altavoces Acoustimass con un paño suave y seco. No use ningún aerosol cerca del sistema ni permita la entrada de ningún líquido por abertura alguna. No use disolventes, sustancias químicas ni soluciones detergentes que contengan alcohol, amoníaco o abrasivos.

Si es necesario, puede limpiar con un aspirador los conjuntos de rejillas presentes en los conjuntos de altavoces cúbicos, pero con mucho cuidado. Tenga en cuenta que, justo detrás de la tela de la rejilla, hay altavoces que se pueden dañar fácilmente si no procede con cautela.

## Garantía limitada

Su sistema de altavoces Acoustimass® está cubierto por una garantía limitada transferible. Los detalles sobre la garantía limitada se encuentran en la tarjeta de garantía que viene incluida junto con el sistema.

Rellene la sección de información de la tarjeta y remítala a Bose. A pesar de que no la envíe, sus derechos no se verán afectados.

## Accesorios

Bose ofrece los siguientes accesorios en colores a juego para que usted disfrute aún más de su sistema de altavoces Acoustimass.

- Pedestales de mesa UTS-20
- Pedestales de suelo UFS-20
- Soportes para pared UB-20
- Kit adaptador de cables para altavoces para uso con cables empotrados desde el módulo Acoustimass hasta los altavoces pequeños. Disponible en negro, blanco o plata.

Para obtener más información o para realizar un pedido de los accesorios descritos, póngase en contacto con su distribuidor Bose® autorizado o visite el sitio Web de Bose: [www.bose.com](http://www.bose.com).

Si desea más información o realizar un pedido de los accesorios indicados a continuación, póngase en contacto con su distribuidor Bose autorizado. Para llamar a Bose directamente, consulte la hoja de direcciones incluida en el paquete.

- Adaptador de cables de entrada para uso con cables empotrados desde el módulo Acoustimass hasta el receptor.
- Cable alargador de 6.1 m para uso entre el módulo Acoustimass y el receptor.

## Información técnica

### Complemento del cono del altavoz

Conjuntos de altavoces cúbicos y altavoz frontal central: dos altavoces Twiddler™ de 6,35 cm  
Módulo autoamplificado Acoustimass: Tres altavoces de graves de 13 cm

### Tensión nominal del sistema

EE.UU./Canadá: 100-127 V  $\sim$  50/60 Hz 400 W  
Europa/Australia: 220-240 V  $\sim$  50/60 Hz 400 W

### Compatibilidad

Compatibles con receptores audiovisuales y amplificadores con una potencia nominal de 10 a 200 vatios por canal, de 4 a 8 ohmios

### Peso/tamaño de los altavoces

Cada conjunto de altavoces cúbicos y altavoz frontal central: 1,1 kg  
15,7 cm x 7,8 cm x 10,2 cm

Módulo Acoustimass: 20,3 kg  
41.4 cm x 20,6 cm x 73,9 cm

### Peso del sistema incluido el embalaje

Sistema Acoustimass 16 Serie II: 32,6 kg  
Sistema Acoustimass 15 Serie III: 33,8 kg



# INFORMATIONS RELATIVES À LA SÉCURITÉ

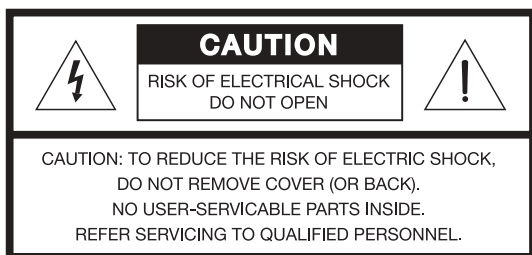
## ***Veillez lire cette notice d'utilisation***

Prenez le temps de lire attentivement les instructions de cette notice d'utilisation. Elles vous seront précieuses pour installer et utiliser correctement votre système et vous aideront à tirer le meilleur parti de sa technologie. Conservez cette notice d'utilisation pour référence ultérieure.

## ***Pour votre propre sécurité***

**AVERTISSEMENT :** Afin de limiter les risques d'incendie ou d'électrocution, ne pas exposer le module Acoustimass® sous tension à l'humidité.

**AVERTISSEMENT :** Ne placez jamais d'objets enflammés, tels que des bougies allumées, sur l'appareil.



Les symboles de mise en garde suivants figurent sur le panneau arrière du module Acoustimass :



Le symbole représentant un éclair avec une flèche à l'intérieur d'un triangle équilatéral est utilisé pour prévenir l'utilisateur de la présence d'une tension électrique dangereuse non isolée à l'intérieur de l'appareil. Cette tension est d'un niveau suffisamment élevé pour représenter un risque d'électrocution.



Le symbole représentant un point d'exclamation à l'intérieur d'un triangle équilatéral, tel qu'il figure sur le système, signale à l'utilisateur la présence d'instructions importantes relatives au fonctionnement et à l'entretien de l'appareil dans cette notice d'installation.

**ATTENTION :** Afin d'éviter tout risque d'électrocution, insérez bien la fiche du cordon d'alimentation dans la fente correspondante de la prise d'alimentation. Assurez-vous qu'elle est engagée à fond.

## ***Informations de sécurité complémentaires***

See the additional safety information on the Important Safety Instructions page enclosed with your speaker system.

### ***Renseignements à conserver***

Le numéro de série figure à l'arrière du module Acoustimass.

Numéro de série : \_\_\_\_\_

Nom du revendeur : \_\_\_\_\_

Téléphone du revendeur : \_\_\_\_\_ Date d'achat : \_\_\_\_\_

Nous vous conseillons de conserver votre facture et votre carte de garantie avec cette notice d'utilisation.

©2006 Bose Corporation. Toute reproduction, modification, distribution ou autre utilisation, même partielle, de ce document est interdite sans autorisation écrite préalable.

Fabriqué sous licence de Dolby Laboratories. « Dolby » et le symbole du double D sont des marques déposées de Dolby Laboratories. Ouvrage non publié à caractère confidentiel. ©1992-1997 Dolby Laboratories. Tous droits réservés.

|   |           |
|---|-----------|
| <b>INSTALLATION</b>   | <b>4</b>  |
| Déballage   | 4         |
| Choix de l'emplacement des enceintes                              | 5         |
| Mise en place de l'enceinte centrale avant                        | 6         |
| Mise en place des enceintes frontales gauche et droite            | 6         |
| Mise en place des enceintes arrières                              | 6         |
| Positionnement du module Acoustimass®                             | 7         |
| Branchements  | 7         |
| Connexion des enceintes au module Acoustimass                     | 7         |
| Branchement du module Acoustimass® à l'ampli-tuner.               | 9         |
| Vérification des connexions                                       | 10        |
| Options facultatives de votre système Acoustimass 15              | 10        |
| <b>UTILISATION DU SYSTÈME</b>                                     | <b>11</b> |
| Comment tirer le meilleur parti de vos enceintes pour Home Cinema | 11        |
| Réglage du niveau de compensation des graves et de la pièce       | 11        |
| Réglage du niveau LFE   | 11        |
| Réglage de l'ampli-tuner numérique                                | 12        |
| Réception d'un signal audio numérique                             | 12        |
| Réglage de l'ampli-tuner analogique                               | 12        |
| <b>RÉFÉRENCE</b>  | <b>13</b> |
| Dépannage   | 13        |
| Service client  | 13        |
| Nettoyage des enceintes   | 13        |
| Garantie limitée  | 14        |
| Accessoires   | 14        |
| Caractéristiques techniques                                       | 14        |

# INSTALLATION

## Avant de commencer

Nous vous remercions d'avoir choisi le système d'enceintes Home Cinema Bose® Acoustimass® 16 série II ou 15 série III. Chaque système est composé d'enceintes cubiques centrales, d'une enceinte avant centrale et d'un module amplifié Acoustimass. Cette combinaison permet de reproduire le spectre complet sonore puissant et réaliste de sources numériques multi-canaux.

## Déballage

Déballiez le contenu du carton avec précaution :

1. Sortez le carton marron contenant les enceintes cube « Speaker Array » et l'enceinte centrale.
2. Faites rouler avec précaution le grand carton sur le côté et dégagez le module Acoustimass.

**AVERTISSEMENT :** *Soulevez le module avec prudence, car il pèse 15 kg.*

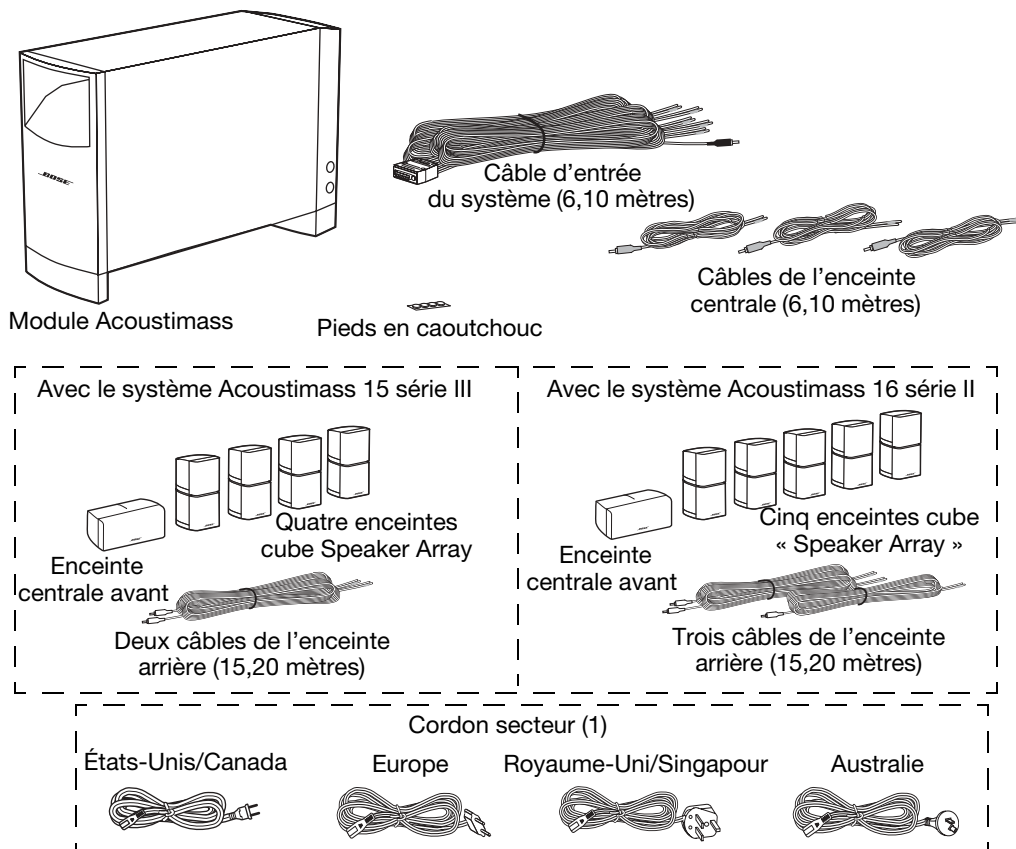
Conservez tous les emballages pour une éventuelle utilisation ultérieure.

Si un composant semble endommagé, ne l'utilisez pas. Remettez tous les éléments dans le carton d'origine et contactez immédiatement Bose ou votre revendeur Bose agréé.

Vous pouvez également contacter Bose directement. Il vous suffit de consulter la liste des adresses figurant dans le carton d'emballage.

**Figure 1**

Contenu du carton



Il est recommandé de noter dès maintenant le numéro de série du système en page 2 de ce guide et sur votre carte de garantie.

**AVERTISSEMENT :** *Afin d'éviter tout risque d'étouffement, les sacs plastiques qui protègent les enceintes doivent être tenus hors de portée des enfants.*



## Choix de l'emplacement des enceintes

Lors du choix de l'emplacement de chaque enceinte, suivez ces quelques conseils :

- La surface sur laquelle reposent les petites enceintes doit être stable et plane. Les vibrations peuvent les faire bouger, notamment lorsqu'il s'agit de surfaces lisses telles que le marbre, le verre ou le bois verni. Pour éviter ce problème, vous pouvez fixer à la base de l'enceinte centrale les supports en caoutchouc fournis.

♪ **Remarque :** Pour obtenir gratuitement des supports en caoutchouc supplémentaires, contactez Bose. Consultez la liste d'adresses incluse dans le carton d'emballage.

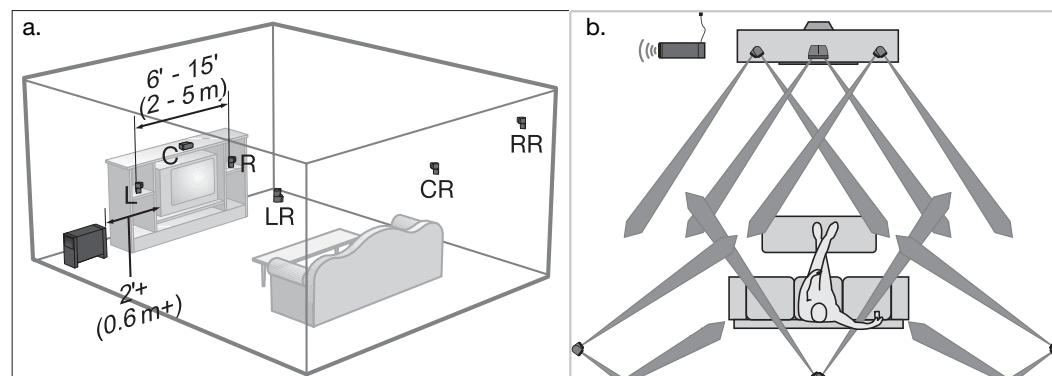
- L'enceinte centrale avant est destinée à être utilisée dans la partie frontale de la pièce, et à proximité du centre du téléviseur.
- Les enceintes cube « Speaker Array » sont toutes identiques et peuvent être utilisées de façon interchangeable.
- Il est possible de faire pivoter les parties supérieure et inférieure des enceintes cube « Speaker Array » afin d'obtenir une meilleure répartition sonore suivant les pièces (b et d).
- Toutes les petites enceintes sont blindées magnétiquement afin d'éviter toute interférence avec l'image d'un téléviseur.
- Pour éviter toute interférence, placez le module Acoustimass® à au moins 0,60 m de votre téléviseur.

Le choix de l'emplacement des enceintes doit être déterminé par la forme et les dimensions de votre pièce d'une part, et l'emplacement des meubles d'autre part. Les exemples suivants sont à utiliser comme base (et non comme règle absolue) d'installation des enceintes.

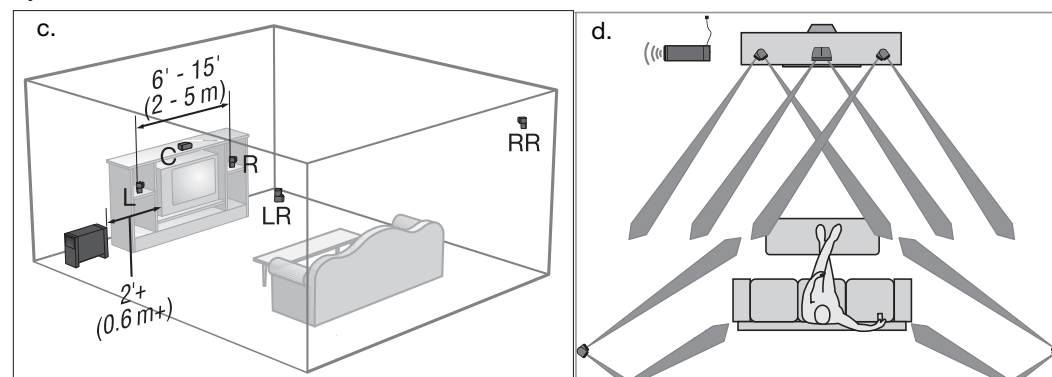
### Figure 2

Exemple d'emplacement d'enceintes (a et c) et performances obtenues (b et d)

Système Acoustimass 16



Système Acoustimass 15



Les supports muraux et pieds de sol Bose® offrent des possibilités d'agencement supplémentaires. Pour plus d'informations, reportez-vous à la section « Accessoires » page 14.

♪ **Remarque :** Le système Acoustimass® 15 série III peut être utilisé avec une enceinte cube arrière centrale « Speaker array » supplémentaire facultative. Pour plus de détails, reportez-vous à la section « Options facultatives de votre système Acoustimass 15 » page 10.

### **Mise en place de l'enceinte centrale avant**

Pour obtenir un rendu réaliste de l'action et des dialogues, le son de l'enceinte centrale avant doit sembler provenir de l'image.

- Placez l'enceinte cube centrale au-dessus, au-dessous ou sur votre téléviseur. Ne faites pas reposer le poids du téléviseur sur l'enceinte !
- Pour obtenir une restitution précise des dialogues, placez l'enceinte cube centrale aussi près que possible de la verticale du centre de l'écran (voir Figure 2 page 5).

⚠ **ATTENTION :** Si vous décidez de positionner l'enceinte centrale au dessus du téléviseur, collez les quatre pieds en caoutchouc fournis à la base de l'enceinte. Positionnez deux des pieds sur la base, à proximité de la face avant. Placez les deux autres pieds dans les coins arrière de la base.

### **Mise en place des enceintes frontales gauche et droite**

Ces enceintes créent une image sonore dépassant les dimensions de l'écran tout en restant cohérente et naturelle pour le spectateur, quelle que soit la position de celui-ci dans la pièce.

- Placez les enceintes cube frontales « Speaker Array » de part et d'autre du téléviseur.
- Séparez-les d'une distance comprise entre 2 m et 5 m (voir Figure 2 page 5).

### **Mise en place des enceintes arrières**

Les enceintes arrières (Surround) reproduisent les dialogues, mais elles sont principalement destinées à restituer les sons discrets et les effets spéciaux qui donnent de l'ampleur à l'image. Elles contribuent à mettre le spectateur au cœur de l'action.

Choisissez des emplacements pratiques, et prenez en compte les recommandations suivantes :

- Positionnez les enceintes cube arrières gauche et droite de manière à ce que le son parvienne au spectateur de chaque côté, plutôt que directement derrière lui (voir Figure 2 page 5).
- Placez ces enceintes à la hauteur des oreilles d'un spectateur assis, ou légèrement plus haut.
- Faites pivoter les parties inférieures et supérieures des enceintes de manière à diriger le son à l'avant et à l'arrière du spectateur.
- Si votre système comporte une enceinte arrière centrale, positionnez-la à mi-chemin entre les enceintes arrières droite et gauche (voir Figure 2 page 5).

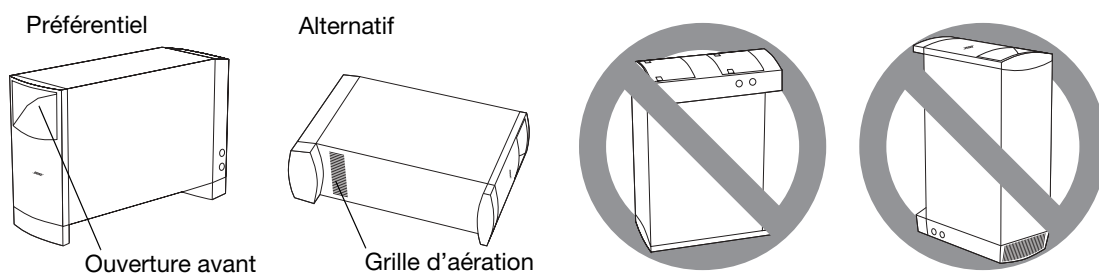
### Positionnement du module Acoustimass®

Grâce à la technologie Bose® Acoustimass® utilisée dans ce module, il est difficile de localiser la source des sons graves. Vous pouvez donc la dissimuler, en respectant les conseils suivants :

- Placez le module du même côté de la pièce que le téléviseur.
- Pour éviter toute interférence, placez le module à au moins 0,60m de votre téléviseur.
- Pour augmenter l'effet des basses, orientez l'ouverture avant vers un mur. À l'inverse, pour réduire cet effet, orientez l'ouverture dos au mur.
- L'ouverture avant et la grille d'aération située à la base du module doivent être éloignées d'au moins 5 cm de toute autre surface.
- Ne masquez pas la grille d'aération située à la base du module. Cette ouverture est nécessaire à la restitution correcte des basses par le module.

**Figure 3**

Options de positionnement du module Acoustimass



### Branchements

Seul le module Acoustimass doit être connecté à l'ampli-tuner. Les petites enceintes avant centrales et les enceintes cube arrière se branchent directement au module Acoustimass.

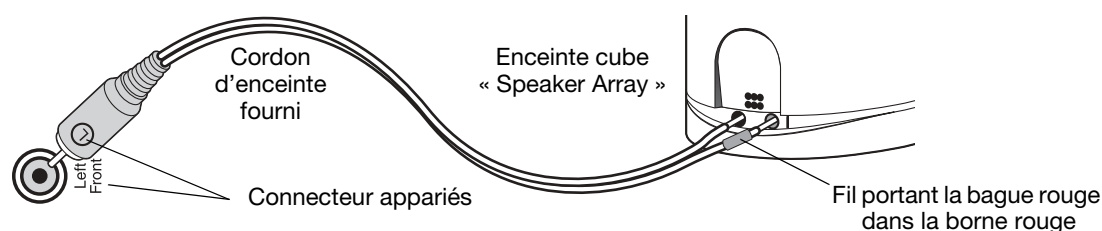
**AVERTISSEMENT :** Tout raccordement direct des petites enceintes à l'ampli-tuner pourrait endommager votre système et provoquer un court-circuit.

### Connexion des enceintes au module Acoustimass

Insérez le connecteur de chaque câble dans la prise adéquate du module. Consultez l'étiquette de chaque connecteur pour connaître cette prise.

**Figure 4**

Raccordement d'un cordon d'enceinte à un jack de sortie du module et à l'enceinte



1. Pour les trois enceintes avant, utilisez les câbles de 6,10 m fournis.  
Insérez les connecteurs dans les jacks du module, en respectant les indications (Figure 5 page 8).
  - Le câble marqué R dans le jack marqué « Right Front ».
  - Le câble marqué C dans le jack marqué « Center Front ».
  - Le câble marqué L dans le jack marqué « Left Front ».

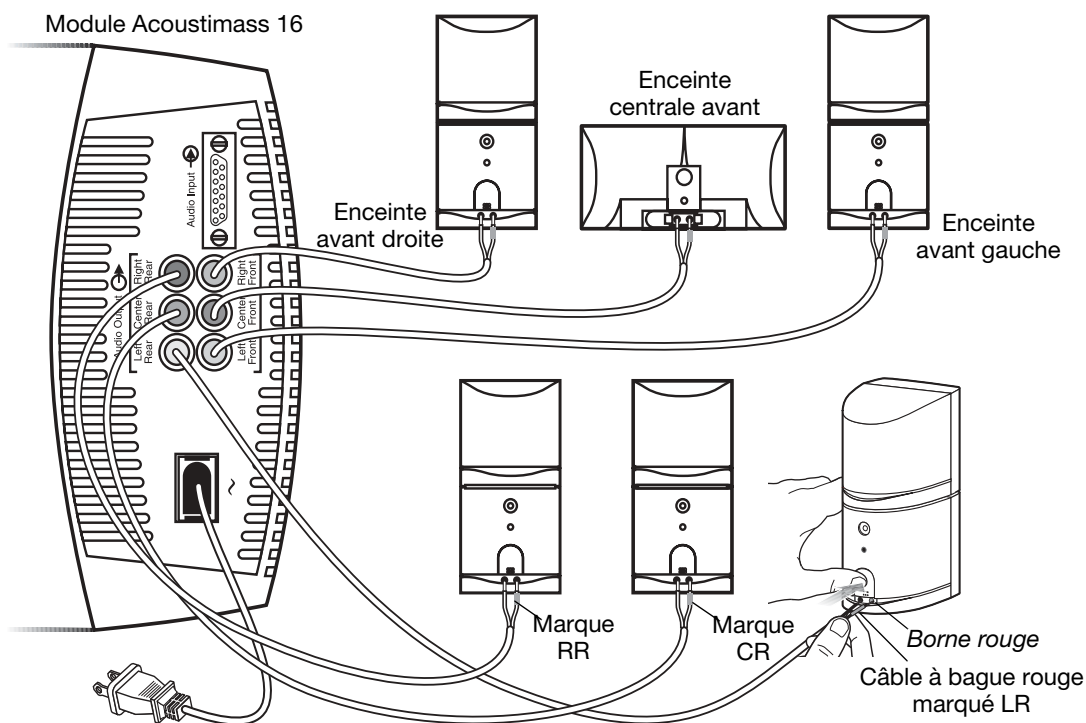
2. Pour les enceintes arrière, utilisez les câbles de 15,20 m fournis (voir Figure 5).  
Insérez les connecteurs dans les jacks du module, en respectant les indications :
  - Le câble marqué RR dans le jack marqué « Right Rear ».
  - Le câble marqué CR dans le jack marqué « Center Rear ». Cette enceinte n'est fournie qu'avec les systèmes Acoustimass® 16.
  - Le câble marqué LR dans le jack marqué « Left Rear ».
3. À l'autre extrémité de chaque câble, insérez le fil portant une bague rouge (+) dans la borne rouge (+) d'une enceinte. Insérez l'autre conducteur dans l'autre borne (Figure 5),  
Une indication sur chaque câble identifié par une bague rouge permet de le faire correspondre à l'enceinte à laquelle il est destiné :
 

|  |  |
|--|--|
| <ul style="list-style-type: none"> <li>• L (Left) pour l'enceinte avant gauche</li> <li>• R (Right) pour l'enceinte avant droite</li> <li>• C (Center) pour l'enceinte centrale avant</li> </ul> | <ul style="list-style-type: none"> <li>• LR (Left Rear) pour l'enceinte arrière gauche</li> <li>• RR (Right Rear) pour l'enceinte arrière droite</li> <li>• CR (Centre Rear) pour l'enceinte arrière centrale</li> </ul> |
|--|--|

**Remarque :** Le système Acoustimass 15 série III peut être utilisé avec une enceinte cube arrière centrale « Speaker array » supplémentaire facultative. Pour plus de détails, reportez-vous à la section « Options facultatives de votre système Acoustimass 15 » page 10.

**Figure 5**

Connexion des petites enceintes au module Acoustimass

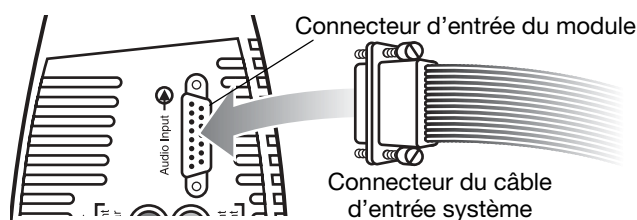


## Branchement du module Acoustimass® à l'ampli-tuner.

Le câble d'entrée système, long de 6,10 mètres, connecte le module Acoustimass à l'ampli-tuner. Contrairement aux câbles des enceintes, celui-ci est doté d'un connecteur multibroches qui doit être inséré dans le connecteur « Audio Input » du module (Figure 6).

**Figure 6**

Connecteurs du câble d'entrée système



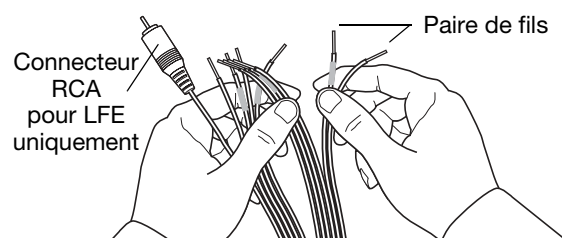
À l'autre extrémité du câble d'entrée système figurent des paires de brins multiples que vous pouvez séparer pour les insérer plus aisément dans les bornes de l'ampli-tuner (Figure 7). Une bague rouge permet d'identifier les fils positifs (+).

**⚠ ATTENTION :** Ne connectez JAMAIS votre module au téléviseur, les signaux de celui-ci ne sont pas suffisamment amplifiés.

Le connecteur RCA unique qui apparaît à cette extrémité est UNIQUEMENT destiné à un ampli-tuner capable de gérer les effets basses fréquences (LFE) et comportant un connecteur LFE/SUBWOOFER (Figure 7).

**Figure 7**

Séparation des paires de fils



**⚠ ATTENTION :** Avant d'effectuer les connexions, éteignez votre ampli-tuner afin d'éviter tous craquements intempestifs lors du branchement du module Acoustimass®.

Branchements Figure 8 page 10 :

1. Insérez le connecteur multibroches du câble d'entrée du système dans le jack prévu à cet effet sur le module Acoustimass. Serrez les deux vis moletées pour verrouiller la connexion.
2. Connectez chaque paire de conducteurs de l'autre extrémité du câble d'entrée système à votre ampli-tuner, dont les bornes doivent être identifiées ainsi :
  - Right, Left, Center pour les canaux audio avant
  - Right Surround, Left Surround et, éventuellement, Center Surround pour les canaux arrière. Les indications exactes peuvent différer selon le modèle.

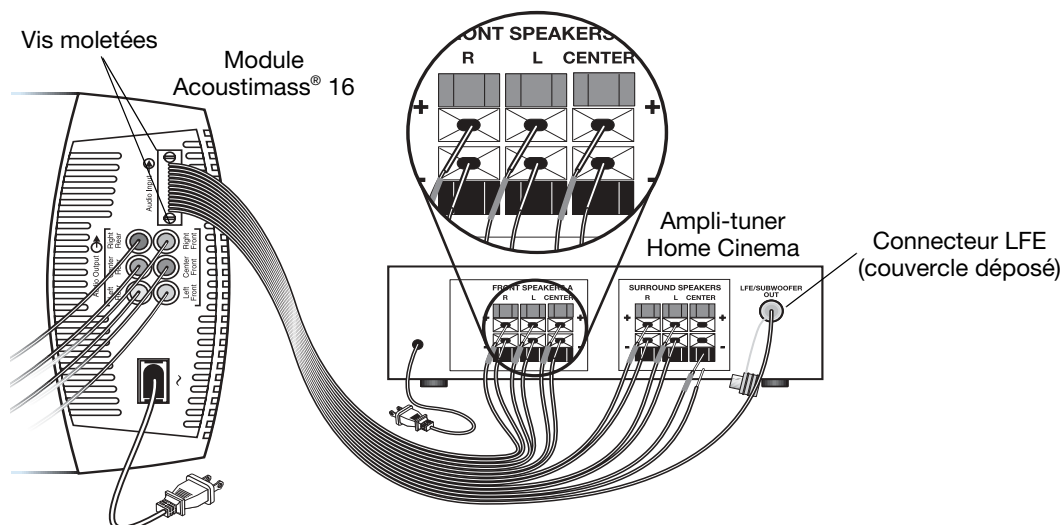
**⚠ ATTENTION :** Veillez à ce qu'aucun conducteur ne soit effiloché, ce qui risquerait de le mettre en contact avec un autre et d'endommager votre ampli-tuner.

3. Respectez scrupuleusement les polarités (le + sur le + et le - sur le -).
  - Branchez chaque conducteur repéré (+) à la borne + adéquate.
  - Branchez chaque conducteur repéré (-) à la borne - adéquate.
4. Si possible, raccordez la prise RCA (repérée LFE) du câble d'entrée du système au jack LFE/SUBWOOFER OUT de votre ampli-tuner, après avoir déposé le couvercle.

## INSTALLATION

**Figure 8**

Raccordement du module Acoustimass® à l'ampli-tuner



## Vérification des connexions

Avant de brancher le module Acoustimass, vérifiez toutes les connexions entre l'ampli-tuner et le module, et entre le module et les petites enceintes (Figure 5 page 8 et Figure 8).

- Vérifiez que les enceintes cube sont raccordées aux bornes appropriées, en fonction de leur position dans la pièce.
- Contrôlez que les câbles connectés à votre ampli/tuner Surround sont bien en phase (+ au + et – au –). Un mauvais câblage peut provoquer une perte totale de puissance du module.
- Corrigez les éventuels problèmes de câblage avant de brancher le cordon secteur de votre ampli-tuner et de mettre celui-ci sous tension.

Une fois tous les raccordements du système vérifiés, branchez le cordon secteur du module Acoustimass dans la prise murale. Branchez également l'ampli-tuner.

🎵 **Remarque :** Bose recommande l'utilisation d'un dispositif de protection contre les surtensions pour protéger tous les équipements électroniques. Les variations de tension et les surcharges transitoires peuvent endommager les composants de n'importe quel système. Un équipement de ce type, capable d'éliminer la majeure partie des surtensions, peut être acheté dans un magasin spécialisé.

## Options facultatives de votre système Acoustimass 15

Votre système d'enceintes Acoustimass 15 série III peut être complété afin d'obtenir un son Surround 6.1, ou 6 canaux.

Le kit de mise à niveau 6.1 contient une enceinte cube « Speaker Array » noire (PC 029661) ou blanche (PC 029662), un câble de raccordement de 15,20 m et des instructions complètes de connexion.

Pour acquérir un kit de mise à niveau 6.1 de la couleur de votre système, contactez votre revendeur Bose®. Vous pouvez également contacter Bose directement (voir la liste des adresses dans le carton d'emballage).

Pour passer une commande, le numéro de série de votre module Acoustimass vous sera demandé. Consultez la section « Renseignements à conserver » page 2 si vous y avez inscrit ce numéro de série. Dans le cas contraire, vous trouverez ce numéro sur la face arrière du module, à proximité du panneau de connexions.

## Comment tirer le meilleur parti de vos enceintes pour Home Cinema

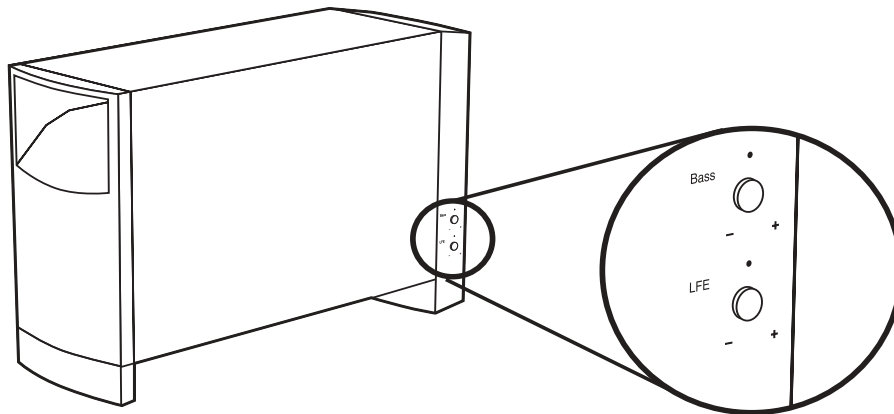
Dès que le système est connecté et le module raccordé au secteur, votre système Acoustimass® est prêt à fonctionner.

Il est conseillé de commencer par vous familiariser avec les réglages qui permettent d'ajuster le son du système (Figure 9). Les options permettent d'adapter celui-ci à votre style d'écoute et à vos préférences.

**⚠ ATTENTION :** Le système est doté d'un circuit de protection automatique contre les surtensions électriques et les surcharges. Ce circuit est automatiquement activé lorsque le volume d'écoute est élevé. La réduction de niveau entraînée reste faible. Si vous constatez cette réduction de niveau, cela confirme que le système fonctionne normalement. Cette réduction de volume indique également que la puissance sonore du système peut dépasser les niveaux de sécurité : il est déconseillé de maintenir longtemps le niveau d'écoute à ce volume.

**Figure 9**

Boutons de réglage audio



### Réglage du niveau de compensation des graves et de la pièce

Après avoir placé le module Acoustimass à l'endroit voulu, vous pouvez l'ajuster en fonction de cet emplacement. Utilisez ce réglage uniquement en cas de besoin.

Par exemple :

- Si le son produit vous paraît dans l'ensemble trop aigu ou manquant de graves, tournez la molette BASS (Graves) dans le sens des aiguilles d'une montre afin d'augmenter le niveau de graves délivré par le module.
- Si le son produit est au contraire trop grave, tournez cette même molette dans le sens inverse des aiguilles d'une montre afin de diminuer le niveau de graves.

Le réglage par défaut est conçu pour les dimensions et aménagements de pièce les plus fréquents.

### Réglage du niveau LFE

Le réglage du niveau de LFE (effets basses fréquences) représenté ci-dessus est destiné uniquement aux amplis-tuners disposant d'un canal LFE/SUBWOOFER.

Tournez cette molette pour régler le niveau relatif des effets basses fréquences des pistes sonores des films. Utilisez-la de façon à ce que le volume du canal LFE soit identique aux volumes des autres enceintes.

Pour vérifier tous les niveaux, utilisez la fonction « Test tones » de votre ampli-tuner numérique. Consultez la notice d'utilisation fournie avec votre amplificateur pour toutes informations supplémentaires.

## Réglage de l'ampli-tuner numérique

Les enceintes de votre système Bose® Acoustimass® 16 Série II ou Acoustimass 15 Série III sont entièrement compatibles avec le signal audio des amplis-tuners numériques. Le traitement de signal intégré autorise la reproduction des basses fréquences sur tous les canaux.

Pour tirer pleinement parti de ces possibilités, il est conseillé d'ajuster certains réglages sur votre ampli-tuner. Pour ce faire, utilisez le menu de l'afficheur de l'ampli-tuner, en vous reportant ci-dessous à la liste des réglages recommandés.

| Enceinte                    | Réglage de l'ampli-tuner |
|-----------------------------|--------------------------|
| • Gauche et droite          | LARGE                    |
| • Canal central             | LARGE                    |
| • Surround gauche et droite | LARGE                    |
| • Surround centre*          | LARGE                    |
| • LFE/Subwoofer             | ON                       |

\* Avec un système Acoustimass 16 Série II ou un système Acoustimass 15 série III mis à niveau.

🎵 **Remarque :** Si votre modèle d'ampli-tuner est doté de l'option LFE ou Subwoofer, celle-ci doit être sur ON et la valeur de l'option Crossover (fréquence de coupure) doit être le plus bas possible, en général 80 Hz.

## Réception d'un signal audio numérique

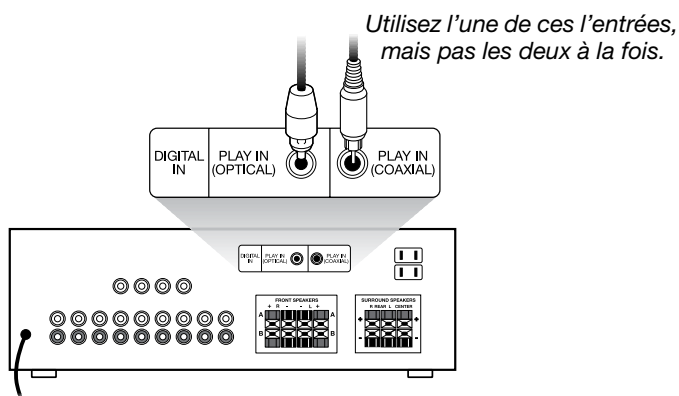
Pour transmettre le signal audio numérique de votre lecteur de DVD à votre ampli-tuner, vous devez établir une connexion *audio numérique* entre ces deux appareils (Figure 10).

1. Utilisez soit l'entrée Optical, soit l'entrée Coaxial (mais pas les deux à la fois) du récepteur pour recevoir le signal numérique du lecteur de DVD.
2. N'oubliez pas de sélectionner la sortie numérique dans le menu de paramétrage de votre lecteur de DVD.

Pour toutes informations supplémentaires, consultez la notice d'utilisation fournie avec votre amplificateur.

**Figure 10**

Connexions de signal numérique



## Réglage de l'ampli-tuner analogique

Pour les applications Surround analogiques (et non numériques), il est recommandé de régler le mode Surround centre de l'ampli-tuner sur WIDE (large). Consultez la notice d'utilisation fournie avec votre amplificateur pour toutes instructions relatives à ce réglage.



## Dépannage

Si vous rencontrez un problème avec votre système d'enceintes Acoustimass®, arrêtez la source sonore et essayez les solutions ci-dessous. Si le problème persiste, contactez votre revendeur Bose® afin de convenir d'un rendez-vous pour maintenance. Vous pouvez également contacter Bose directement. Il vous suffit de consulter la liste des adresses figurant dans le carton d'emballage.

| <b>Problème</b>                      | <b>Mesure corrective</b>   |
|--------------------------------------|--|
| Le système ne fonctionne pas du tout | <ul style="list-style-type: none"> <li>Assurez-vous que l'ampli audio/vidéo ou Home Cinéma et le module Acoustimass amplifié sont bien branchés sur une prise secteur murale et que l'ampli-tuner Home Cinema est sous tension.</li> <li>Assurez-vous qu'une source sonore a été sélectionnée au niveau de l'ampli-tuner Home Cinema (vidéo, CD, DVD, tuner)</li> </ul>  |
| Aucun son n'est émis.                | <ul style="list-style-type: none"> <li>Augmentez le volume.</li> <li>Débranchez le casque, le cas échéant.</li> <li>Vérifiez les branchements des enceintes.</li> <li>Assurez-vous que le module Acoustimass amplifié et l'ampli-tuner sont bien alimentés.</li> <li>Pour le son numérique, assurez-vous qu'un câble coaxial ou optique relie la sortie digitale du lecteur DVD à l'entrée numérique de votre ampli-tuner Home Cinema.</li> <li>Assurez-vous que la source audio sélectionnée est correcte. Par exemple, sélectionnez bien la lecture DVD audio sur l'amplificateur et le lecteur pour qu'un son puisse être entendu à partir d'un DVD.</li> </ul>                               |
| Absence d'effet Surround             | <ul style="list-style-type: none"> <li>Vérifiez que la source sonore comporte bien des effets Surround.</li> <li>Si vous utilisez le mode Dolby Pro-Logic, vérifiez que le mode Surround est bien en fonction (ON).</li> <li>Vérifiez que la source (DVD, laser disc ou programme TV) est bien encodée en Dolby Digital.</li> <li>Vérifiez que votre ampli-tuner Home Cinema traite un signal issu d'un magnétoscope Hi-Fi, d'un téléviseur stéréo, d'un laser disc, d'un lecteur de DVD ou d'une quelconque autre source comportant du son Surround.</li> <li>Si vous utilisez une source numérique, vérifiez que les réglages sont corrects au niveau de l'ampli-tuner Home Cinema.</li> </ul> |
| Absence de basses                    | <ul style="list-style-type: none"> <li>Vérifiez que les connexions des enceintes sont correctes (bague rouge sur borne rouge, + sur +).</li> </ul>   |
| Manque ou excès de basses            | <ul style="list-style-type: none"> <li>Rapprochez le module Acoustimass amplifié d'un mur ou d'un angle pour augmenter le niveau de basses, ou éloignez-le pour obtenir moins de graves.</li> <li>Réglez le niveau de LFE ou de compensation.</li> </ul>   |
| Le son est mauvais.                  | <ul style="list-style-type: none"> <li>Vérifiez qu'aucun câble d'enceinte n'est endommagé.</li> <li>Diminuez le volume de tous les éléments externes raccordés à l'ampli-tuner Home Cinema.</li> </ul>   |

## Service client

Pour obtenir de l'aide afin de résoudre vos éventuels problèmes, contactez le service client local de Bose. Consultez la liste d'adresses incluse dans le carton d'emballage.

## Nettoyage des enceintes

Les coffrets des enceintes Acoustimass® doivent être nettoyés uniquement à l'aide d'un chiffon doux et sec. N'utilisez aucun aérosol à proximité du système, et ne laissez aucun liquide pénétrer par une des ouvertures. De même, n'utilisez pas de solvants, de produits chimiques ou de liquides de nettoyage contenant de l'alcool, de l'ammoniac ou des abrasifs.







293692-001

***BOSE***<sup>®</sup>  
*Better sound through research*<sup>®</sup>

©2006 Bose Corporation, The Mountain,  
Framingham, MA 01701-9168 USA  
AM293692 Rev.00 CCM-003041